

KT-LED134P-EV-8xx-S

4-PIN LED LAMP



DESCRIPTION

13W 4-PIN LED Lamp | 2700K, 3000K, 3500K, 4000K, 5000K | ≥ 83 CRI | CFL Ballast Compatible

| |
|---|
| LAMP TYPE: Compact |
| BULB TYPE: 4-Pin LED |
| BASE TYPE: G24q/GX24q |
| WATTAGE: 13W |
| COLOR TEMPERATURE: 2700K, 3000K, 3500K, 4000K, 5000K |
| COLOR RENDERING INDEX (CRI): ≥ 83 |
| WARRANTY: 5 Years |



PRODUCT FEATURES

- Replacement for Conventional CFL 26W/32W/42W G24q Lamps
- Plug and Play: Directly Compatible with the Existing CFL Ballast
- Approximately 50% More Energy Efficient than Traditional CFL Lamps
- Up to 5x Longer Life than Traditional CFL Lamps
- Operating Temperature: -20°C/-4°F to 45°C/113°F
- Environmentally Friendly: No Mercury Used
- Frosted Lens Eliminates Pixelation
- 50,000+ Hour Lifetime
- Instant Startup

OPERATING SPECIFICATIONS

ELECTRICAL CHARACTERISTICS

| Input Voltage | Lamp Wattage | Power Factor | System Wattage |
|-------------------|--------------|--------------|----------------|
| Ballast Dependent | 13W | >0.9 | 14W-15W |

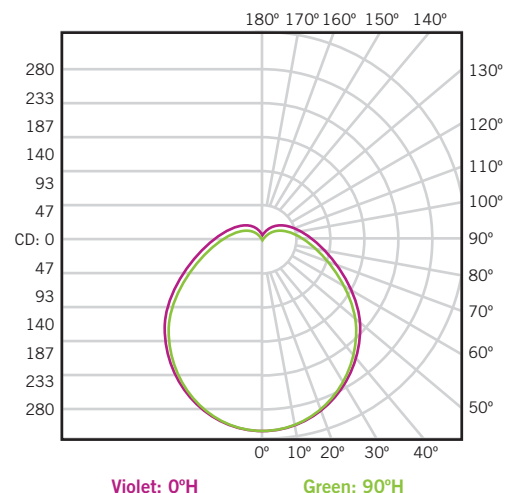
PHOTOMETRIC CHARACTERISTICS

| Color Temperature (CCT) | 2700K | 3000K | 3500K | 4000K | 5000K |
|-----------------------------|--------------|--------------|--------------|--------------|--------------|
| Luminous Flux | 900 lm | 900 lm | 900 lm | 950 lm | 950 lm |
| Color Rendering Index (CRI) | ≥ 83 | ≥ 83 | ≥ 83 | ≥ 83 | ≥ 83 |
| Efficacy | 70 lm/W | 70 lm/W | 70 lm/W | 73 lm/W | 73 lm/W |
| Beam Angle | $>120^\circ$ | $>120^\circ$ | $>120^\circ$ | $>120^\circ$ | $>120^\circ$ |
| LED Quantity | 28 | 28 | 28 | 28 | 28 |

RATED LIFE

| | |
|-------------|--------|
| L70 (Hours) | 50,000 |
|-------------|--------|

POLAR CANDELA DISTRIBUTION



KT-LED134P-EV-8xx-S

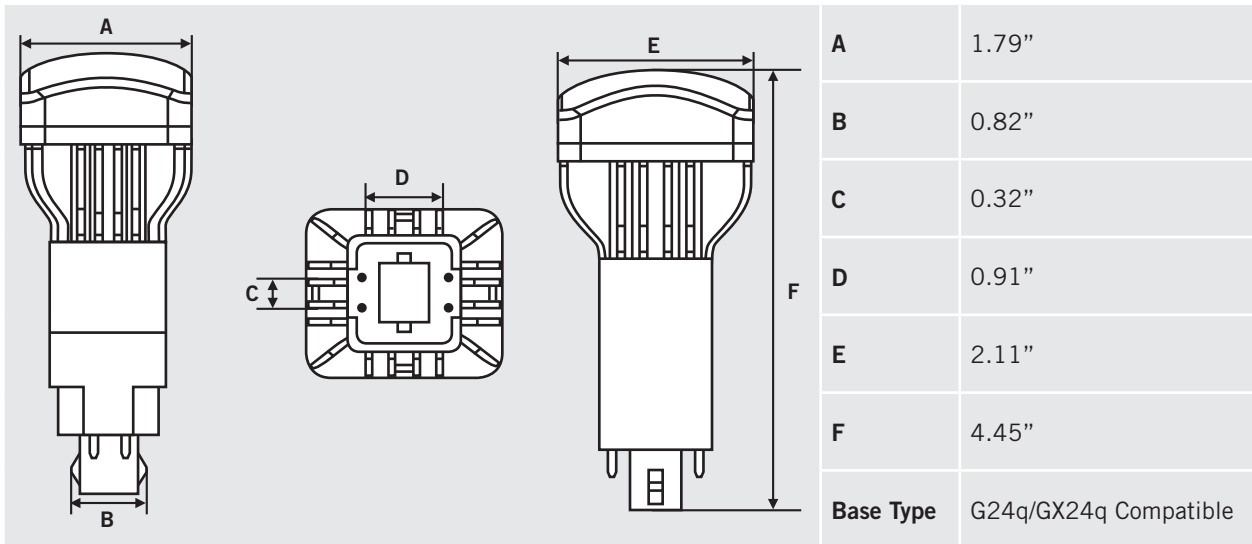
4-PIN LED LAMP

WIRING

Plug and Play: Simply replace the existing fluorescent lamp with Keystone Smart Drive LED lamp. No changes to the existing fluorescent ballast wiring needed.

PHYSICAL CHARACTERISTICS

LAMP DIMENSIONS



ORDERING INFORMATION

| ORDER CODE | PACKAGING STYLE | PACK QTY. | ITEM STATUS |
|------------------------|------------------|-----------|-------------|
| KT-LED134P-EV-8xx-S-DP | Distributor Pack | 50 | Quick Ship |

CATALOG NUMBER BREAKDOWN

KT-LED134P-EV-8XX-S-DP

| | | | | | | | | |
|-----------------------|----------|---------|-----------|-------------|------------|-------------|--------------------|-----------------|
| Keystone Technologies | LED Lamp | Wattage | Lamp Type | Orientation | 800 Series | Color Temp. | Smart Drive Series | Packaging Style |
|-----------------------|----------|---------|-----------|-------------|------------|-------------|--------------------|-----------------|

KT-LED134P-H-8xx-S

4-PIN LED LAMP



DESCRIPTION

13W 4-Pin LED Lamp | 2700K, 3000K, 3500K, 4000K, 5000K | ≥ 83 CRI | CFL Ballast Compatible

| |
|--|
| LAMP TYPE: Compact |
| BULB TYPE: 4-Pin LED |
| BASE TYPE: G24q/GX24q |
| WATTAGE: 13W |
| COLOR TEMPERATURE: 2700K, 3000K, 3500, 4000K, 5000K |
| COLOR RENDERING INDEX (CRI): ≥ 83 |
| WARRANTY: 5 Years |



PRODUCT FEATURES

- Replacement for Conventional CFL 26W/32W/42W G24q Lamps
- Plug and Play: Directly Compatible with the Existing CFL Ballast
- Approximately 50% More Energy Efficient than Traditional CFL Lamps
- Up to 5x Longer Life than Traditional CFL Lamps
- Operating Temperature: -20°C/-4°F to 45°C/113°F
- Environmentally Friendly: No Mercury Used
- Frosted Lens Eliminates Pixelation
- 50,000+ Hour Lifetime
- Instant Startup

OPERATING SPECIFICATIONS

ELECTRICAL CHARACTERISTICS

| Input Voltage | Lamp Wattage | Power Factor | System Wattage |
|-------------------|--------------|--------------|----------------|
| Ballast Dependent | 13W | >0.9 | 14W-15W |

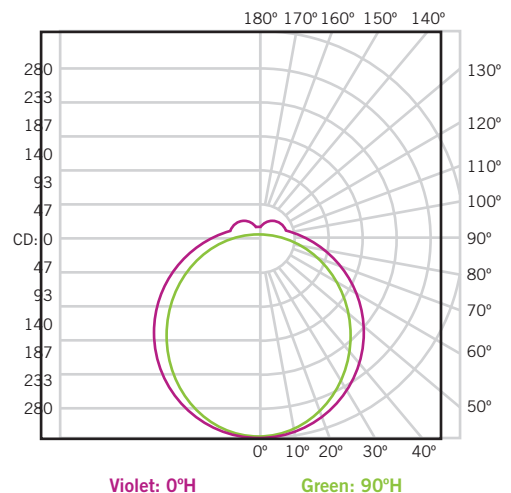
PHOTOMETRIC CHARACTERISTICS

| Color Temperature (CCT) | 2700K | 3000K | 3500K | 4000K | 5000K |
|-----------------------------|-----------|-----------|-----------|-----------|-----------|
| Luminous Flux | 900 lm | 900 lm | 900 lm | 950 lm | 950 lm |
| Color Rendering Index (CRI) | ≥ 83 | ≥ 83 | ≥ 83 | ≥ 83 | ≥ 83 |
| Efficacy | 70 lm/W | 70 lm/W | 70 lm/W | 73 lm/W | 73 lm/W |
| Beam Angle | >120° | >120° | >120° | >120° | >120° |
| LED Quantity | 28 | 28 | 28 | 28 | 28 |

RATED LIFE

| | |
|-------------|--------|
| L70 (Hours) | 50,000 |
|-------------|--------|

POLAR CANDELA DISTRIBUTION



KT-LED134P-H-8xx-S

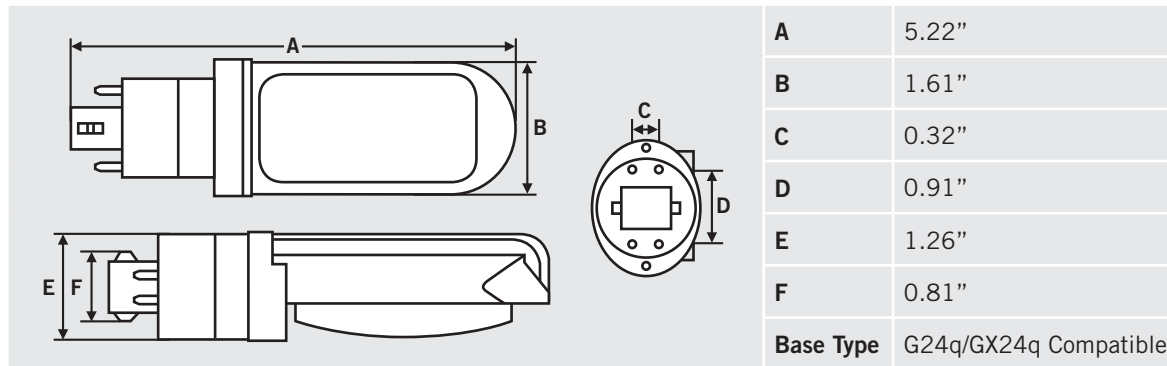
4-PIN LED LAMP

WIRING

Plug and Play: Simply replace the existing fluorescent lamp with a Keystone Smart Drive LED lamp. No changes to the existing fluorescent ballast wiring are needed.

PHYSICAL CHARACTERISTICS

LAMP DIMENSIONS



ORDERING INFORMATION

| ORDER CODE | PACKAGING STYLE | PACK QTY. | ITEM STATUS |
|-----------------------|------------------|-----------|-------------|
| KT-LED134P-H-8xx-S-DP | Distributor Pack | 50 | Quick Ship |

CATALOG NUMBER BREAKDOWN

KT-LED134P-H-8XX-S-DP

| | | | | | | | | |
|-----------------------|----------|---------|-----------|-------------|------------|-------------|--------------------|-----------------|
| Keystone Technologies | LED Lamp | Wattage | Lamp Type | Orientation | 800 Series | Color Temp. | Smart Drive Series | Packaging Style |
|-----------------------|----------|---------|-----------|-------------|------------|-------------|--------------------|-----------------|

KT-LED134P-V-8xx-S

4-PIN LED LAMP



DESCRIPTION

13W 4-Pin LED Lamp | 2700K, 3000K, 3500K, 4000K, 5000K | ≥ 83 CRI | CFL Ballast Compatible

| |
|---|
| LAMP TYPE: Compact |
| BULB TYPE: 4-Pin LED |
| BASE TYPE: G24q/GX24q |
| WATTAGE: 13W |
| COLOR TEMPERATURE: 2700K, 3000K, 3500K, 4000K, 5000K |
| COLOR RENDERING INDEX (CRI): ≥ 83 |
| WARRANTY: 5 Years |



PRODUCT FEATURES

- Replacement for Conventional CFL 26W/32W/42W G24q Lamps
- Plug and Play: Directly Compatible with the Existing CFL Ballast
- Approximately 50% More Energy Efficient than Traditional CFL Lamps
- Up to 5x Longer Life than Traditional CFL Lamps
- Operating Temperature: -20°C/-4°F to 45°C/113°F
- Environmentally Friendly: No Mercury Used
- Frosted Lens Eliminates Pixelation
- 50,000+ Hour Lifetime
- Instant Startup

OPERATING SPECIFICATIONS

ELECTRICAL CHARACTERISTICS

| Input Voltage | Lamp Wattage | Power Factor | System Wattage |
|-------------------|--------------|--------------|----------------|
| Ballast Dependent | 13W | >0.9 | 14W-15W |

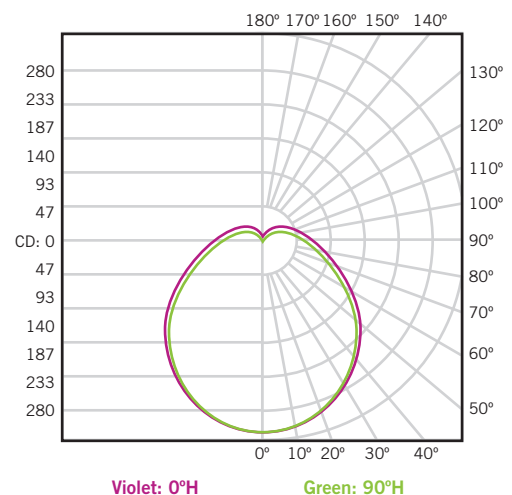
PHOTOMETRIC CHARACTERISTICS

| Color Temperature (CCT) | 2700K | 3000K | 3500K | 4000K | 5000K |
|-----------------------------|-----------|-----------|-----------|-----------|-----------|
| Luminous Flux | 900 lm | 900 lm | 900 lm | 950 lm | 950 lm |
| Color Rendering Index (CRI) | ≥ 83 | ≥ 83 | ≥ 83 | ≥ 83 | ≥ 83 |
| Efficacy | 70 lm/W | 70 lm/W | 70 lm/W | 73 lm/W | 73 lm/W |
| Beam Angle | >120° | >120° | >120° | >120° | >120° |
| LED Quantity | 28 | 28 | | 28 | 28 |

RATED LIFE

| | |
|-------------|--------|
| L70 (Hours) | 50,000 |
|-------------|--------|

POLAR CANDELA DISTRIBUTION



KT-LED134P-V-8xx-S

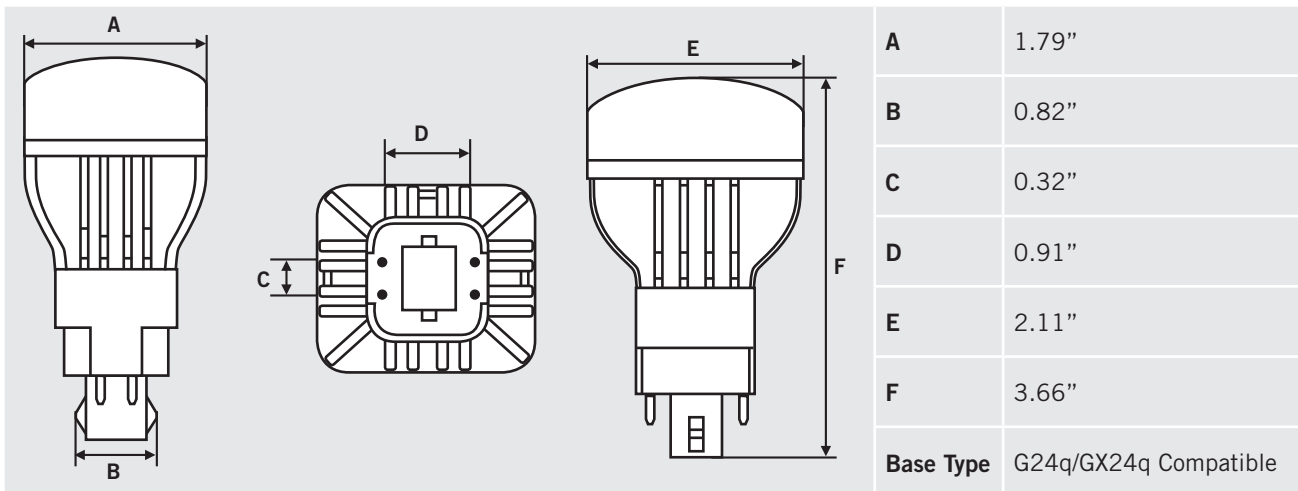
4-PIN LED LAMP

WIRING

Plug and Play: Simply replace the existing fluorescent lamp with a Keystone Smart Drive LED lamp. No changes to the existing fluorescent ballast wiring are needed.

PHYSICAL CHARACTERISTICS

LAMP DIMENSIONS



ORDERING INFORMATION

| ORDER CODE | PACKAGING STYLE | PACK QTY. | ITEM STATUS |
|-----------------------|------------------|-----------|-------------|
| KT-LED134P-V-8xx-S-DP | Distributor Pack | 50 | Quick Ship |

CATALOG NUMBER BREAKDOWN

KT-LED134P-V-8XX-S-DP

| | | | | | | | | |
|-----------------------|----------|---------|-----------|-------------|------------|-------------|--------------------|-----------------|
| Keystone Technologies | LED Lamp | Wattage | Lamp Type | Orientation | 800 Series | Color Temp. | Smart Drive Series | Packaging Style |
|-----------------------|----------|---------|-----------|-------------|------------|-------------|--------------------|-----------------|