

## HUH SERIES

### INDUSTRIAL ELECTRIC HORIZONTAL UNIT HEATERS

- TO 30KW CAPACITY
- EPOXY PAINT FINISH
- RUGGED PLATE FIN ELEMENT
- DIRECTED HEAT THROWS TO 38 FEET
- SMOOTH, QUIET OPERATION
- EASY TO INSTALL AND SERVICE



#### APPLICATIONS

Primary, supplementary, or auxiliary heat source in factories, stores, warehouses, public buildings, service stations, workshops, large or exposed areas or additions.

#### FEATURES

##### EASY TO INSTALL AND SERVICE

Bottom of control box hinges for easy access to controls and wiring. Heating element, fan delay control, thermal cutout, motor and fan are all easily reached for service without dismantling the heater. A 1/2" x 13 NC threaded mounting hole in the top of the heater facilitates the attachment of the heater to a mounting bracket or other mounting assembly.

##### SMOOTH, QUIET OPERATION

Large, dynamically balanced fan blades provide maximum air flow with minimum turbulence and noise. Rugged, totally enclosed motor features permanently lubricated bearings.

#### WIDE RANGE OF POWER AND OUTPUT

Twenty five models range from 5KW to 30KW (17,065 to 103,390 BTU/hr). Available in 208, 240, 277, 480 and 600.

#### LONG, DIRECTED HEAT THROWS

Effective heat throws of 16' to 38' permit efficient, selective heating of all areas — wide, narrow, long or oddly shaped.

#### PLATE FIN ELEMENT:

Steel fins are copper brazed to low watt density, steel-sheathed tubular heating elements. The element is painted with aluminized paint for corrosion resistance. Fins and elements are arranged in a uniform grid pattern and fit closely into the air discharge area to assure that all incoming air passes through the heating element. Uniform discharge of all heated air lowers internal operating temperatures and prolongs element life.

#### EPOXY PAINT FINISH

Cabinet is finished with an epoxy coating for excellent corrosion resistance. The finished color is neutral gray.

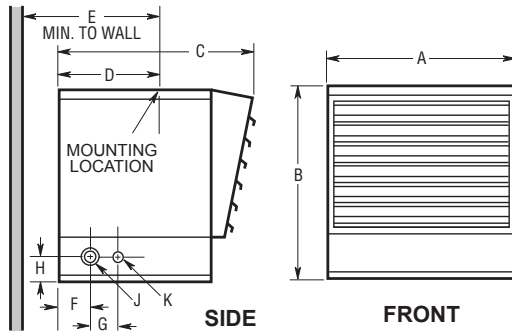
#### AUTOMATIC FAN DELAY

Automatic control delays fan action until heating element is warm. When thermostat is satisfied, fan continues to operate until heating element is cool. By preventing circulation of cold air and expelling excess heat, comfort level is raised and component life is extended.

#### THERMAL CUTOUT

A high-limit cutout automatically shuts off current in event of overheating and reactivates the heater when temperature returns to normal.

## DIMENSIONS



## ARCHITECT'S AND ENGINEER'S SPECIFICATIONS\*

The electric horizontal heater(s) shall be as manufactured by Berko, A Marley Engineered Products Brand, Bennettsville, SC. Heater(s) shall be fully UL and C-UL approved, designed for either wall or ceiling mounting without modification, and be of \_\_\_\_\_ KW capacity (or as shown on plans).

**HOUSING:** The cabinet shall be of heavy gauge, cold-rolled steel, welded and phosphatized, then finished with an epoxy paint. Front and back panels shall be removable to gain full access to element, motor and fan area (5-7.5 KW units). Side panels shall be removable without dismantling the heater by removing four screws from inside the control box, thus permitting full access to the element and fan motor areas (10- 30 KW units). Adjustable louvers shall be permanently attached and shall provide the desired directional control of air flow.

**CONTROL BOX:** The control box, housing all heater wiring and controls, shall be located at the bottom of the heater and equipped with a swing-down hinged cover to permit full access for installation, and for cleaning and servicing without dismantling the heater.

**WIRING:** All heater and control wiring connections shall terminate in the control box. Proper wiring diagram shall be attached to the inside of the control box cover. 75°C wire must be used to enter the wiring compartment.

**CONTACTORS:** All heaters shall have a built-in, heavy duty, 3-pole contactor providing quiet, efficient operation, making external contacts and additional wiring unnecessary.

**FAN MOTOR:** Fan motor shall be totally enclosed, permanently lubricated, impedance protected and of unit bearing design suitable for horizontal or vertical operation with high starting and running torques. (5-7.5 KW units)

Fan motor shall be totally enclosed, permanently lubricated, thermal protected and of double bearing design with high starting and running torques. (10-30 KW units) Fan motor and controls shall be built into the unit to provide proper fan motor and control operation.

**FAN DELAY:** Fan control shall be bimetallic snap-action, and shall activate fan after heating element reaches operating temperature and continue to operate fan after the thermostat is satisfied until the heating element is cool.

**HEATING ELEMENT:** The heating element shall be warranted for five years and shall be of non-glowing design consisting of a special resistance wire enclosed in the steel sheath to which steel plate fins are brazed. The element shall be painted with aluminumized paint for corrosion resistance. The heating element shall cover the entire air discharge area for uniform heating.

**THERMAL CUTOUT:** Thermal cutout shall be attached directly to each bank of elements to shut off the heater in the event of overheating and reactivate the heater when temperatures return to normal.

\* Berko reserves the right to change specifications without prior notice.

## CONTROLS & ACCESSORIES

CATALOG NUMBER	DESCRIPTION
CWB-1	Combination wall/ceiling bracket for 5KW thru 15KW units.
CWB-2	Same as above but for 20KW thru 30KW units.
HUHTA-1	Single pole thermostat kit (60-120°F temp. range) for field installation in all units.
HUHTA-2	Double pole thermostat kit (60-120°F temp. range) for use with IUH-520 and IUH-521, 3Ø.
DS-30	3-pole power disconnect switch kit for field installation on all horizontal unit heaters rated 30 amps. or less.
DS-63	3-pole power disconnect switch kit for field installation on all horizontal unit heaters 10KW and above rated at 30 to 63 amps.
SW	Summer/Winter fan switch kit for field installation, built-in or remote for all units. Provides summer fan operation.

KW SIZE	A	B	C	D	E	F	G	H	J	K
5-7.5	14"	12 1/2"	12 3/8"	5 1/2"	13"	1 3/4"	1 3/8"	1 1/2"	(2) 1/2", 3/4"	1/2"
10-20	18"	18"	17 1/2"	9 15/32"	*	2"	2 1/2"	2 1/4"	(2) 3/4", 1"	(3) 1", 1 1/4", 1 1/2"
25-30	26"	24"	23 1/8"	9 15/32"	20"	2"	2 3/4"	2 1/4"	(2) 1", 1 1/2"	(3) 1", 1 1/2", 2"

\*13" for 10-15 KW units; 16" for 20 KW unit.

## SELECTION CHART

CATALOG NUMBER	KW. CAP.	BTU/HR.	HTR. VOLT	PHASE	THREADED ROD SIZE	HEATER AMPS		FAN MTR. HP OR WATTS	CONT. CKT. & FAN MOTOR VOLTAGE	FAN MOTOR RPM	AIR VOL. CFM	AIR TEMP. RISE	THROW	MAX MTG. HT.	WT. (Lbs.)
						1Ø	3Ø								
HUH-520SA HUH-524SA HUH-548SA HUH-560SA	5	17.0	208 240 480 600	1-3 1-3 1-3 3	1/2"-13 NC	20.8 24.0 10.4 —	12.5 13.8 6.0 4.8	6.0W	208 240 240 240	1400	270	60°F	16'	8'	26
HUH-724SA HUH-748SA HUH-760SA	7.5	25.6	240 480 600	1-3 1-3 3	1/2"-13 NC	31.3 15.6 —	18.1 9.0 7.2	6.0W	240 240 240	1400	270	85°F	18'	8'	31
HUH-1024M HUH-1048M HUH-1060M	10	34.1	240 480 600	1-3 1-3 3	1/2"-13 NC	43.3 21.6 —	25.7 12.8 9.6	1/10 HP	240 240 240	1550	500	63°F	20'	9'	72
HUH-1524M HUH-1548M HUH-1560M	15	51.2	240 480 600	1-3 1-3 3	1/2"-13 NC	64.1 32.1 —	37.7 18.8 14.5	1/10 HP	240 240 240	1550	750	63°F	28'	11'	68 78 80
HUH-2048M HUH-2060M	20	68.2	480 600	1-3 3	1/2"-13 NC	42.5 —	24.8 19.3	1/10 HP	240	1550	1000	63°F	32'	13'	78 80
HUH-2548L HUH-2560L	25	85.2	480 600	3 3	1/2"-13 NC	— —	31.1 24.0	1/3 HP	240	1550	1300	61°F	34'	14'	136 142
HUH-3048L HUH-3060L	30	102.2	480 600	3 3	1/2"-13 NC	— —	36.9 28.9	1/3 HP	240	1550	1800	53°F	38'	15'	142



3233 W Hunting Park Avenue, Philadelphia PA 19132-1845  
(800) 79-ROYAL (215) 221-1200 fax (215) 221-1201  
advisors@royalelectric.com www.royalelectric.com

WE GET IT  
24/7 Emergency Material Access

FILE # E21609

