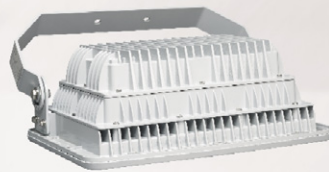


**Pro LED Lighting**  
Champ® hi-lumen LED floodlights

**CROUSE-HINDS**  
SERIES

# Champ® Pro PFM

Hi-lumen LED floodlights for heavy industrial



**EATON**

*Powering Business Worldwide*



**ROYAL ELECTRIC SUPPLY**  
COMPANY

3233 W Hunting Park Avenue, Philadelphia PA 19132-1845  
(800) 79-ROYAL (215) 221-1200 fax (215) 221-1201  
advisors@royalelectric.com www.royalelectric.com

**WE GET IT**  
24/7 Emergency Material Access

# Champ® Pro Series Floodlights

# Safe. Reliable. Efficient.

Eaton's Crouse-Hinds offers the broadest portfolio of LED luminaires for any industrial or hazardous application.

We utilize more than 100 years of lighting expertise to maximize the benefits of LED technology and provide the safest, **most reliable LED luminaires on the market today.**



## Why LED?

### Useful life

- Economic life is up to 100,000 hours of maintenance-free and safe operation

### Energy efficiency

- LED average energy consumption is up to 65% less than HID and 85% less than incandescent

### Start/restart time

- Instant illumination compared to 10 min restrike time for HID

### Light quality

- Higher color rendering and color temperature compared to HID

### Environmental benefits

- LED reduces carbon footprint
- Mercury-free

## Why Crouse-Hinds?

### Industry-best reliability

- Built to withstand extreme temperatures, vibration, water and dust

### Thermal management

- Effective heat sinking ensures longer life

### Quality of light

- Custom optics designed to maximize light distribution and intensity

### Retrofit compatibility

- LED fixtures are compatible with Crouse-Hinds' HID installed base

## Success story

# Dragline retrofit

### Location:

Colowyo Mine, Meeker, CO

### Background:

Colowyo was looking for a reliable, low maintenance solution to replace 1000W metal halide fixtures on the boom of their dragline.

### Challenge:

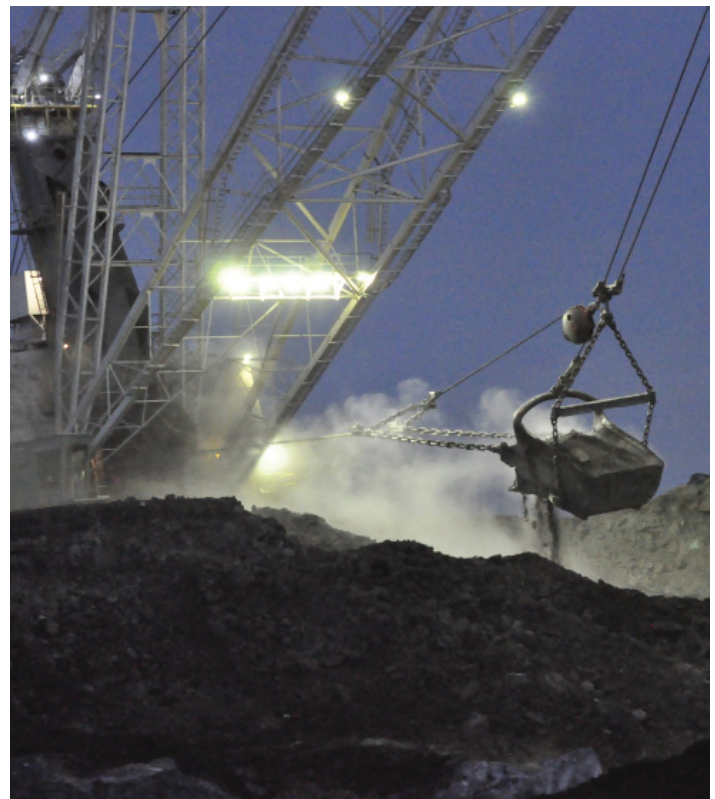
Reduce maintenance/downtime and increase visibility on dragline. Colowyo had been using 1000W metal halide fixtures and wanted to look at LED from a maintenance and safety aspect. Key driving issues were the time factor to replace fixtures on the boom and the dragline's downtime cost (several thousands of dollars per hour) to perform maintenance.

### Solution:

Eaton's Crouse-Hinds PFM25L LED Floodlights

### Results:

Increased visibility, eliminated downtime and over \$27,000 in savings



# Design features



## HIGH LUMEN OUTPUT

- High efficiency drivers and LEDs provide 100 LPW output for reliable, low cost operation in harsh and heavy industrial applications

## VERSATILE DESIGN

- Can be used for outdoor or indoor applications, and for a wide range of mounting heights depending on model and light level requirement
- Replaceable drivers and LEDs for ease of maintenance and "no lights out" feature

## MULTIPLE LENS OPTIONS

- Tempered and clear glass standard
- Polycarbonate and diffused glass lens options available

## FULL-FRAME YOKE

- Designed to utilize the SFA6 slipfitter and SWB6 wall mount bracket, making it ideal for retrofit or new installations



## RUGGED HEAT SINK

- Heat sink designed to perform in high ambient temperatures up to +55°C and as low as -40°C
- Thick walled castings make for a tough, rugged housing that keeps the internal driver and LED temperature down



PFM25L - 25,000 lumen model

# Features & specifications

## Champ Pro PFM Series LED Floodlights

Champ Pro Series LED Floodlights are designed to provide full-spectrum, crisp, white light. Two versions of the Champ are available, 25,000 and 50,000 lumens, providing ideal solutions for a wide range of applications.

### Applications:

- High lumen output for installation in high mounting heights
- Locations requiring continuous and consistent light levels
- Areas requiring frequent on-and-off of lights
- Where extremely corrosive, wet, dusty, hot and/or cold conditions exist; indoors or outdoors
- NEMA 4X, marine, wet locations and hose-down environments
- Indoor and outdoor area lighting in plants, buildings and parking areas
- Manufacturing plants; heavy industrial, chemical, petrochemical or pharmaceutical facilities; platforms; loading docks; outdoor mounted general area lighting
- Ball mills, stackers and reclaimers, concentrators, smelters, mine roadways, outdoor processing areas, truck service shops, shovels and drag lines

### LED system:

- Cool white (5000K, 67 CRI)
- Advanced heat sink design ensures LED does not exceed manufacturer's temperature ratings across all specified ambient conditions
- LM-79, LM-80 reports available upon request

### Champ Pro LED benefits:

- Instant illumination and restrike
- Cold temperature operation / no warm-up required
- Redundancy in drivers with multiple series circuits connected to each driver to avoid complete loss of illumination
- Easy installation - yoke design to mount to SFA6
- Energy-efficient technology - up to 65% energy savings over HID fixtures
- Provides up to 100,000 hours of life - eliminates need for frequent lamp replacement
- Contains no mercury or other hazardous substances
- Shock- and vibration-resistant solid-state luminaires have no filaments or glass components that could break - greatly reduces the risk of premature failure
- Operating ambient -40°C to +40°C
- DesignLights® Consortium compliant for utility rebates\*
- 5 year fixture warranty†



†Refer to page 2 of the D-0914 authorized distributor price book for Crouse-Hinds standard Terms and Conditions.

\* Approved models include: PFM25LCYUNV1 76, PFM25LCYUNV34 76, PFM50LCYUNV1 76, PFM50LCYUNV34 76,

Refer to [www.designlights.org](http://www.designlights.org) Qualified Products List under family models for full listing details. Not all models are approved for all application categories.

### Certifications and compliances:

- UL1598, UL1598A, cUL
- NEMA 4X; IP66
- IEC 60598; IEC 62471; IEC 62031; IEC 61347-2-13; IEC 62493
- CENELEC EN 55015; CENELEC EN 61547; CENELEC EN 61000-3-2
- SA AS/NZR CISPR 15



PFM25L

Model Number	Nominal Lumens	Wattage	Equivalent HID Luminaire	Typical Energy Savings/Lifetime
PFM25L	26,240 (7x6)	263	750-1000W	Up to 65% energy savings and over 100,000 hours of continuous operation!
	32,041 (3x3)			
PFM50L	53,890 (7x6)	531	1500W	
	64,082 (3x3)			

### Effective projected area (EPA)

	PFM25L	PFM50L
Maximum EPA	2.80	6.00

### Electrical ratings

	PFM25L	PFM50L
Input Power (Watts)	263	531
Input Amps at 120-277 VAC	0.70 - 2.80	1.40 - 5.60
Voltage Range, VAC	120-277V, 277-480V @ 50/60 Hz	
Voltage Range, VDC	127-250V	
Power Factor	>0.90	

### Drivers

Option	25L & 50L
/UNV1	90-305 VAC, 50/60 Hz; 127-250 VDC
/UNV34	277-480 VAC, 50/60 Hz

### Weights

Model Number	LBS.	KG.
PFM25L	52.00	23.59
PFM50L	106.00	48.08



PFM50L

**Standard materials:**

- Lamp housing and adapter - die cast aluminum with Corro-free™ epoxy powder coat
- Lens - heat- and impact-resistant glass
- Gaskets - silicone
- External hardware - stainless steel
- Factory-sealed, no external seals required

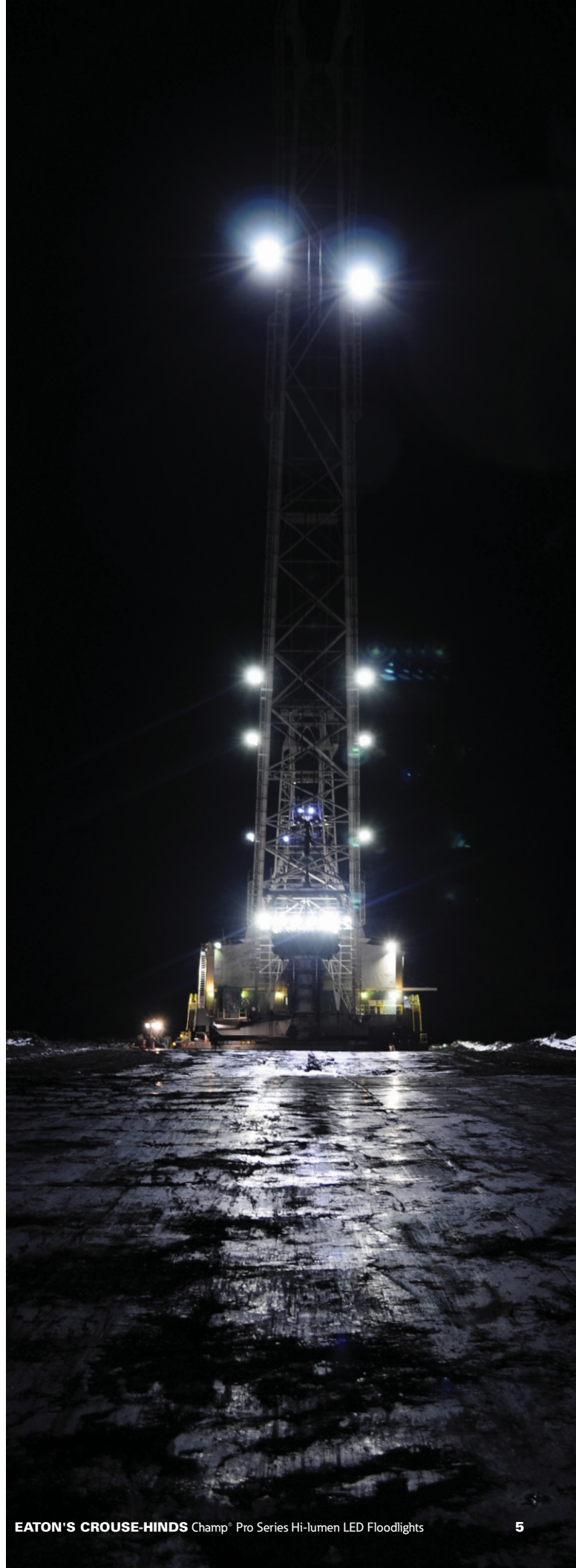
**Accessories (ordered separately):**

	<u>Model Number</u>
• Bolt-on visor .....	<b>DSV1</b>
• Bolt-on wire guard .....	<b>P61</b>
• Floodlight slipfitter .....	<b>SFA6*</b>
• Slipfitter wall mount adapter .....	<b>SWB6*</b>
• Safety cable .....	<b>SC30H†</b>

\* Available with PFM25L model only.  
 † PFM50L requires two safety cables.

**Options (add suffix to model number)**

	<u>Suffix</u>
• Two conduit/cable glands of like thread installed .....	<b>S886</b>
• Diffused glass lens .....	<b>S891</b>
• Polycarbonate lens .....	<b>S903</b>



# Ordering information

## Part number example

PFM13LWY/UNV1 76 S886

# PFM 25L C Y /UNV1 76

# S886

### Model

**PFM** NEC model

**NPFM** IEC model

### Light source/intensity

**25L** 26,240 nominal lumens,  
263 watts (7x6)

**50L** 53,890 nominal lumens,  
531 watts (7x6)

### Color temperature

**C** 5000K (cool white)

### Mount

**Y** Yoke

### Options

**S886** Two conduit/cable glands of like thread installed

**S891** Diffused glass lens

**S903** Polycarbonate lens

### Entries

**BLANK** 3/4" NPT

**M20\*** 20mm

**M25\*** 25mm

\* NPFM requires entry type.

### Optical distribution

**76** 7x6 floodlight pattern optics

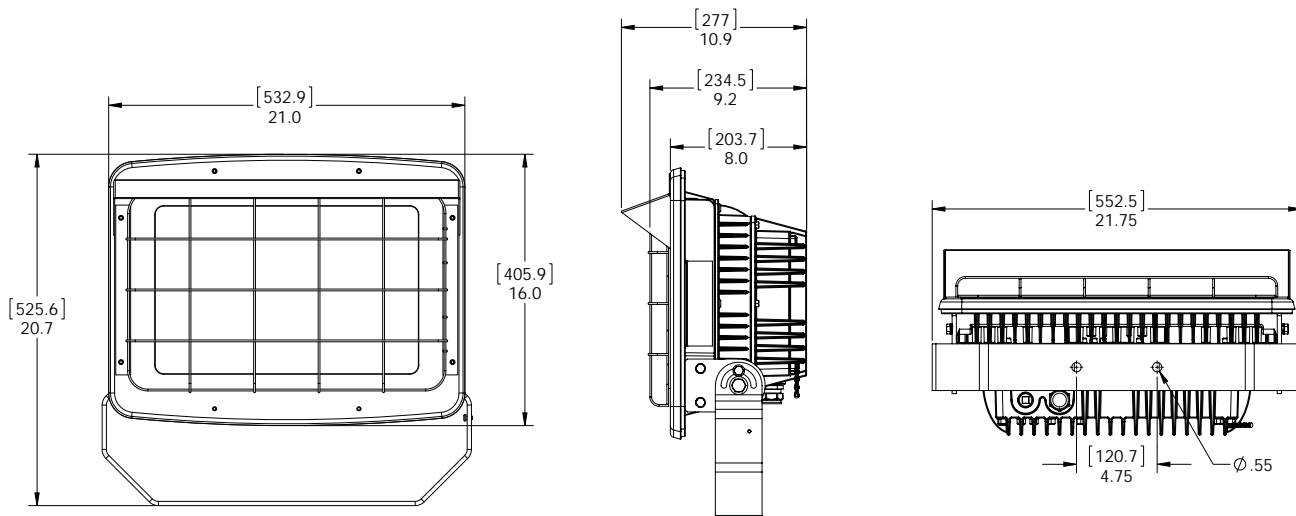
**33** 3x3 floodlight pattern optics

### Voltage

**/UNV1** 90 to 305 VAC 50/60 Hz;  
127 to 250 VDC

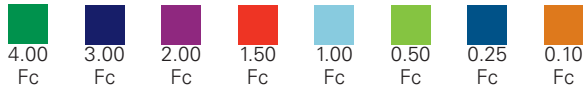
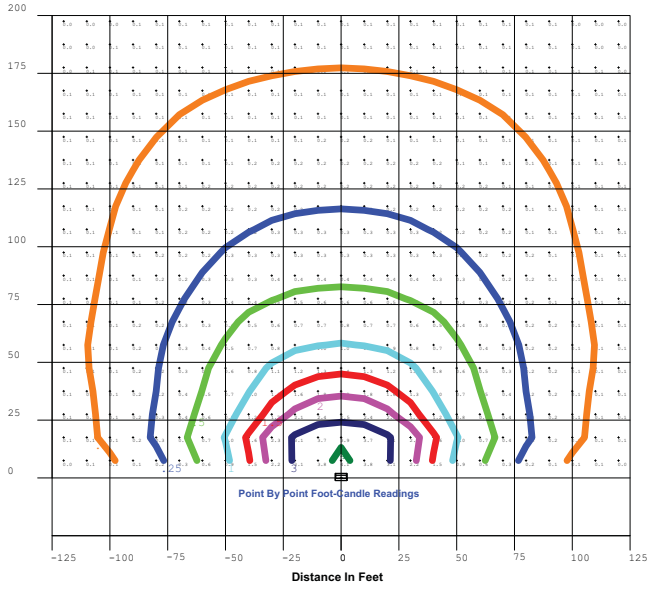
**/UNV34** 277 to 480 VAC 50/60 Hz

## Dimensions - PFM25L



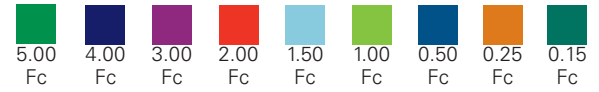
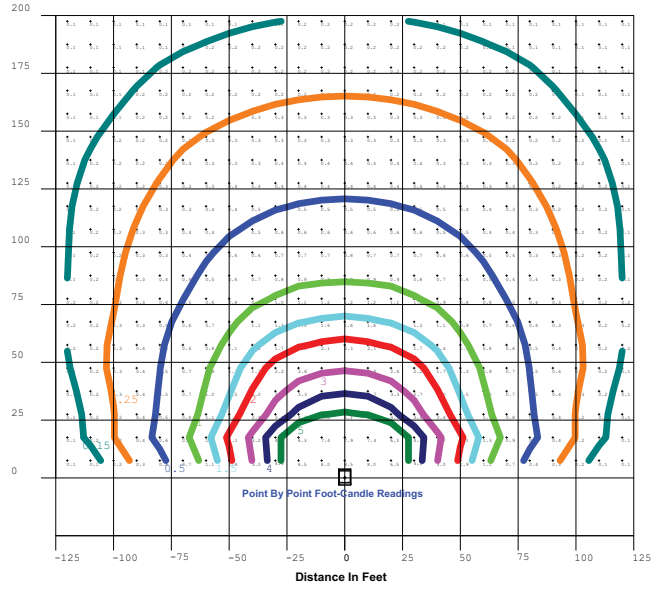
# Photometric data

**PFM25L Height: 50 ft.**



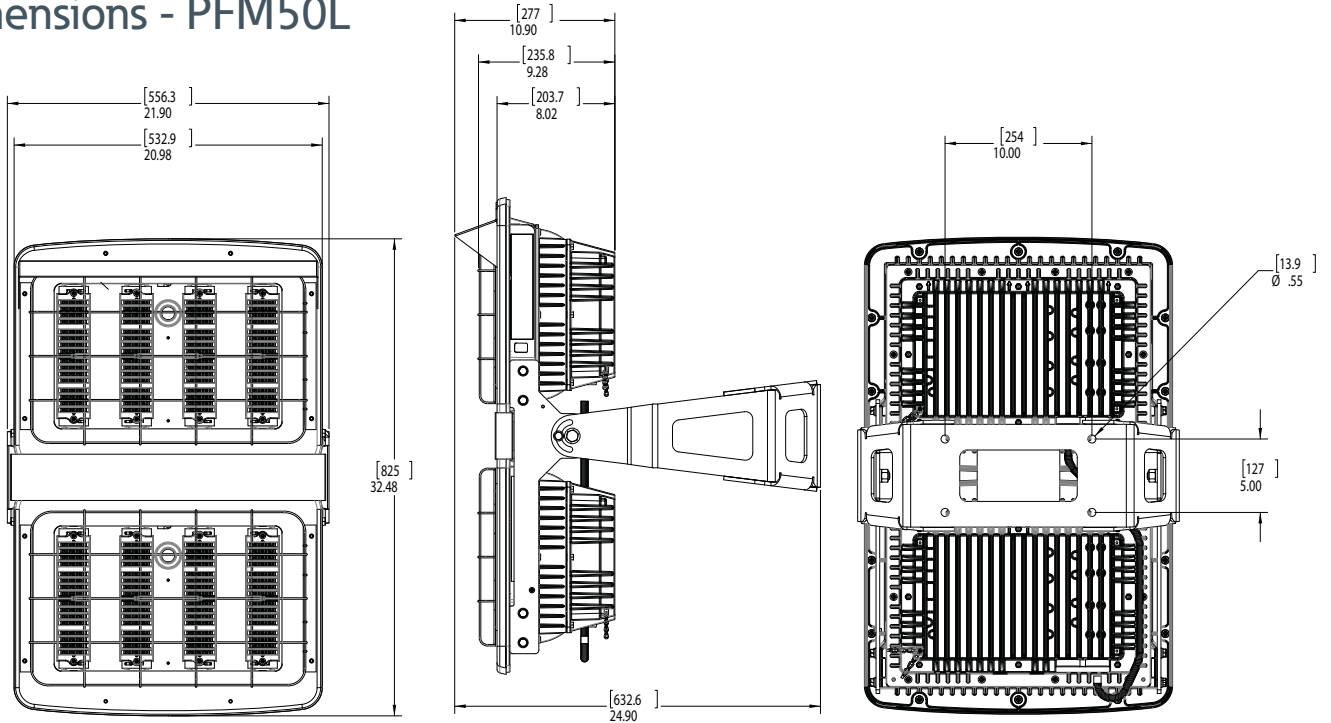
Model Number	Nominal Lumens	Wattage	Equivalent HID Luminaire
PFM25L	26,240	263	750-1000W

**PFM50L Height: 50 ft.**



Model Number	Nominal Lumens	Wattage	Equivalent HID Luminaire
PFM50L	53,890	531	1500W

## Dimensions - PFM50L



**U.S. (global headquarters):  
Eaton's Crouse-Hinds business**

1201 Wolf Street  
Syracuse, NY 13208

(866) 764-5454  
FAX: (315) 477-5179  
FAX Orders Only:  
(866) 653-0640

[crousecustomerctr@eaton.com](mailto:crousecustomerctr@eaton.com)

**For more information:**

If further assistance is required, please contact an authorized Eaton Distributor, Sales Office, or Customer Service Department.

**Canada**

Toll Free: 800-265-0502  
FAX: (800) 263-9504  
FAX Orders only: (866) 653-0645

**Mexico/Latin America/Caribbean**

52-555-804-4000  
FAX: 52-555-804-4020  
[ventascentromex@eaton.com](mailto:ventascentromex@eaton.com)

**Europe (Germany)**

49 (0) 6271 806-500  
49 (0) 6271 806-476  
[sales.CCH.de@cooperindustries.com](mailto:sales.CCH.de@cooperindustries.com)

**Middle East (Dubai)**

9714-8066100  
FAX: 9714-8894813  
[chmesales@eaton.com](mailto:chmesales@eaton.com)

**Singapore**

65-6645-9888  
FAX: 65-6297-4819  
[chsi-sales@cooperindustries.com](mailto:chsi-sales@cooperindustries.com)

**China**

86-21-2899-3600  
FAX: 86-21-2899-4055  
[cchsales@cooperindustries.com](mailto:cchsales@cooperindustries.com)

**Korea**

82-2-3484-6783  
82-2-3484-6778  
[CCHK-sales@cooperindustries.com](mailto:CCHK-sales@cooperindustries.com)

**Australia**

61-2-8787-2777  
FAX: 61-2-9609-2342  
[CEASales@cooperindustries.com](mailto:CEASales@cooperindustries.com)

**India**

91-124-4683888  
FAX: 91-124-4683899  
[cchindia@cooperindustries.com](mailto:cchindia@cooperindustries.com)

**Eaton**  
1000 Eaton Boulevard  
Cleveland, OH 44122  
United States  
[Eaton.com](http://Eaton.com)

© 2016 Eaton  
All Rights Reserved  
Printed in USA  
Publication No. 5110-0216  
February 2016

Eaton is a registered trademark.  
All other trademarks are property of their respective owners.