

# Dialight



**ROYAL ELECTRIC SUPPLY  
COMPANY**

3233 W Hunting Park Avenue, Philadelphia PA 19132-1845  
(800) 79-ROYAL (215) 221-1200 fax (215) 221-1201  
advisors@royalelectric.com www.royalelectric.com

**WE GET IT**

24/7 Emergency Material Access

## Vigilant<sup>®</sup> LED High Bay - UL / CSA

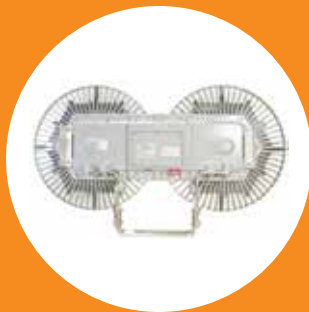
for Indoor and Outdoor Industrial Applications



# On when it matters most.

---

Products and solutions that protect your business





## Features & Benefits

- 10 year full performance warranty
- L70 rated for >150,000 hours @ 25°C ambient
- 125 LPW
- Dual Mounting option available
- Significantly reduced glare
- Instant on/off
- Maintenance free
- Mercury free
- No UV or IR
- Resistant to shock and vibration

## Application

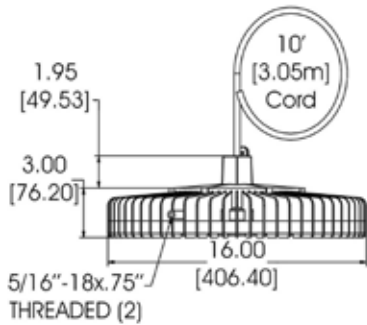
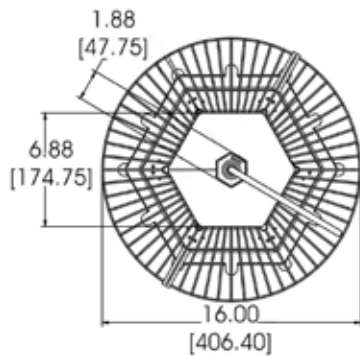
At 125 lumens per Watt, Dialight's new ultra-efficient industrial LED high bay revolutionizes the world of LED lighting and is by far the most innovative LED fixture available today. With a market-leading 10 year full performance warranty, the new 26,500 lumen high bay utilizes cutting-edge optical and electrical design to provide for significantly reduced glare and superior light distribution.

# Vigilant® LED High Bay - UL / CSA

## Standard Models



Patent pending



Dimensions in inches [mm]

### Certifications & Ratings

- UL 1598/A
- CSA 22.2 #250
- NEMA 4X
- IP66 / 67

### Mechanical Information:

- Fixture weight:** 18 lbs (8.16kg)
- Shipping weight:** 24 lbs (10.8kg)
- Mounting:** (1) 3/4" NPT - top  
(2) 5/16"-18 x .75" UNC - side
- Wiring:** 10' (3.05m) STOOW Power Cord

### Electrical Specifications:

- Operating Voltage:**  
110 – 277V AC: 25,750 & 26,500lm models  
100 – 277V AC: 18,000, 14,000 & 11,000lm models

- Total system power consumption:** See table

- Operating Temp:** -40°F to +149°F (-40°C to +65°C)

- Harmonics:** IEC 61000-3-2

- Noise requirement /EMC:** FCC Title 47, Subpart B, Section 15, class A device. RF Immunity; 10V/m, 80MHz-1GHz

- Transient protection:** Protection devices capable of handling up to 6kV. Tested for 6kV/2 ohm combination wave, as per IEEE C62.41, line-line and line-ground

- THD:** <20%

- Power Factor:** > 0.9

### Construction:

- Housing:** Copper free aluminum
- Finish:** Superior dual coat finish  
- Sealed polyester topcoat  
- Chemical-resistant epoxy primer

- Lens :** Tempered glass

### Photometric Information:

- CRI:** 75
- CCT:** 5000K (cool white)  
4000K (neutral white)

All values typical unless otherwise stated (tolerance +/- 10%)

For information on chemical compatibility, please follow this link to reference Dialight's Chemical Compatibility Guide: [www.dialight.com/pubs/MDTFCHEMRFLX001.PDF](http://www.dialight.com/pubs/MDTFCHEMRFLX001.PDF)

# Vigilant® LED High Bay - UL / CSA

## Integrated Wiring Box



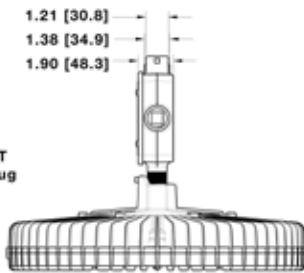
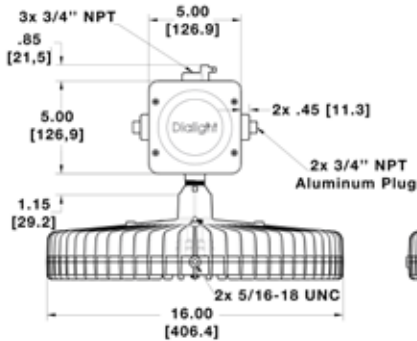
**Conduit Integrated Wiring Box**

Patent pending



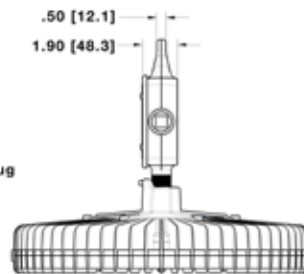
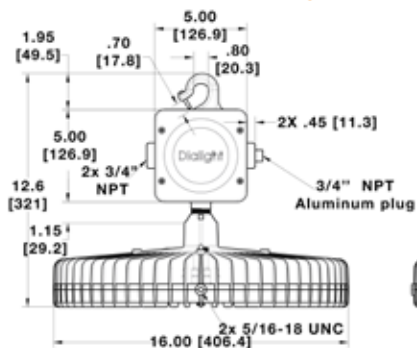
**Hook Integrated Wiring Box**

### Conduit Integrated Wiring Box



Dimensions in inches [mm]

### Hook Integrated Wiring Box



Dimensions in inches [mm]

### Certifications & Ratings

- UL 1598/A
- CSA 22.2 #250
- IP66

### Mechanical Information:

**Fixture weight:** 20 lbs (9kg)

**Shipping weight:** 26 lbs (12kg)

### Mounting:

Hook Model: (2) 3/4 NPT

Conduit Model: (3) 3/4 NPT

### Electrical Specifications:

#### Operating Voltage:

110 – 277V AC: 25,750 & 26,500lm models

100 – 277V AC: 18,000, 14,000 & 11,000lm models

#### Total system power consumption:

See table

#### Operating Temp:

-40°F to +149°F (-40°C to +65°C)

#### Harmonics:

IEC 61000-3-2

#### Noise requirement /EMC:

FCC Title 47, Subpart B, Section 15, class A device. RF Immunity; 10V/m, 80MHz-1GHz

#### Transient protection:

Protection devices capable of handling up to 6kV. Tested for 6kV/2 ohm combination wave, as per IEEE C62.41, line-line and line-ground

#### THD:

<20%

#### Power Factor:

> 0.9

### Construction:

#### Housing:

Copper free aluminum

#### Finish:

Superior dual coat finish  
- Sealed polyester topcoat  
- Chemical-resistant epoxy primer

#### Lens:

Tempered glass

### Photometric Information:

**CRI:** 75

**CCT:** 5000K (cool white)  
4000K (neutral white)

All values typical unless otherwise stated (tolerance +/- 10%)

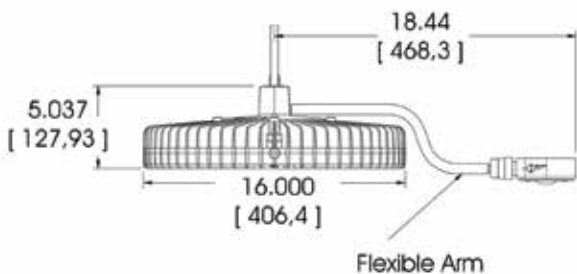
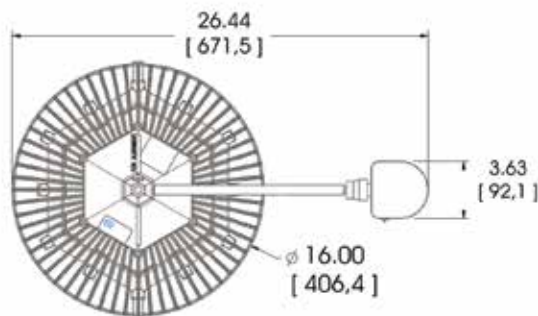
For information on chemical compatibility, please follow this link to reference Dialight's Chemical Compatibility Guide:  
[www.dialight.com/pubs/MDTFCHEMRFLX001.PDF](http://www.dialight.com/pubs/MDTFCHEMRFLX001.PDF)

# Vigilant® LED High Bay - UL / CSA

## Occupancy Sensor Models



Patent pending



Dimensions in inches [mm]

### Certifications & Ratings

- UL 1598/A
- CSA 22.2 #250
- IP65

### Features & Benefits

- No additional electrical connections required for installation
- Flexible conduit permitting the positioning of the occupancy sensor for optimal coverage
- Interchangeable sensor lenses for applications ranging from 20-30 or 30-40 foot in height

### Mechanical Information:

- Fixture weight:** 20 lbs (13.34kg)
- Shipping weight:** 27 lbs (9.62kg)
- Mounting:** (1) 3/4" NPT - top  
(2) 5/16"-18 x .75" UNC - side
- Wiring:** 10' (3.05m) ST00W Power Cord

### Sensor:

- Sensor Mounting:** Attached to the base of the neck using a semi-rigid flexible conduit
- Occupancy Sensor:** Wet location WattStopper
- Sensor Options:** 30 seconds to 20 minutes
- Sensor Lens Options:** Interchangeable lenses for multiple mounting heights

### Electrical Specifications for High Bay:

- Operating Voltage:** 110 – 277V AC: 25,750 & 26,500lm models  
100 – 277V AC: 18,000, 14,000 & 11,000lm models
- Total system power consumption:** See table
- Operating Temp:** -40°F to +149°F (-40°C to +65°C)
- Harmonics:** IEC 61000-3-2
- Noise requirement /EMC:** FCC Title 47, Subpart B, Section 15, class A device. RF Immunity; 10V/m, 80MHz-1GHz
- Transient protection:** Protection devices capable of handling up to 6kV. Tested for 6kV/2 ohm combination wave, as per IEEE C62.41, line-line and line-ground
- THD:** <20%
- Power Factor:** > 0.9

### Construction:

- Housing:** Copper free aluminum
- Finish:** Superior dual coat finish
  - Sealed polyester topcoat
  - Chemical-resistant epoxy primer
- Lens :** Tempered glass

### Photometric Information:

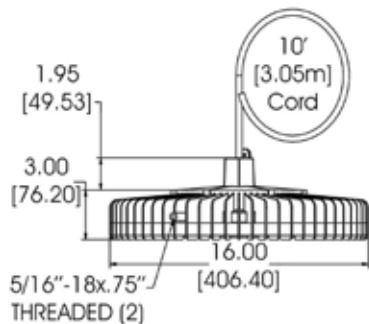
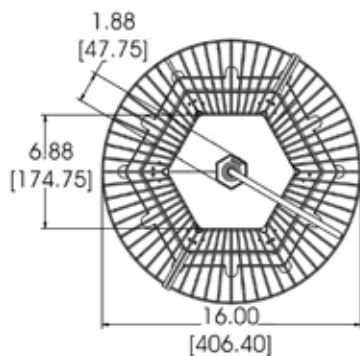
- CRI:** 75
- CCT:** 5000K (cool white)  
4000K (neutral white)

All values typical unless otherwise stated (tolerance +/- 10%)

For information on chemical compatibility, please follow this link to reference Dialight's Chemical Compatibility Guide: [www.dialight.com/pubs/MDTFCHEMRFLX001.PDF](http://www.dialight.com/pubs/MDTFCHEMRFLX001.PDF)

# Vigilant® LED High Bay - UL / CSA

## Variable Dimming Models



Dimensions in inches [mm]

### Certifications & Ratings

- UL 1598/A
- CSA 22.2 #250
- NEMA 4X
- IP66/67

### Features & Benefits

- Multiple high bays can be connected to the same dimmer

### Mechanical Information:

<b>Fixture weight:</b>	20 lbs (13.34kg)
<b>Shipping weight:</b>	27 lbs (9.62kg)
<b>Mounting:</b>	(1) 3/4" NPT - top (2) 5/16"-18 x .75" UNC - side
<b>Wiring:</b>	10' (3.05m) STOOV Power Cord 5 Conductor (L, N, GND, DIM+, DIM-)

### Variable Dimming:

<b>Variable Dimming Control:</b>	0-10V DC
<b>Dimming Range:</b>	10V DC = 100% light output 0V DC = 30% light output

### Electrical Specifications for High Bay:

<b>Operating Voltage:</b>	
110 – 277V AC:	25,750 & 26,500lm models
100 – 277V AC:	18,000, 14,000 & 11,000lm models

<b>Total system power consumption:</b>	See table
<b>Operating Temp:</b>	-40°F to +149°F (-40°C to +65°C)
<b>Harmonics:</b>	IEC 61000-3-2
<b>Noise requirement /EMC:</b>	FCC Title 47, Subpart B, Section 15, class A device. RF Immunity; 10V/m, 80MHz-1GHz
<b>Transient protection:</b>	Protection devices capable of handling up to 6kV. Tested for 6kV/2 ohm combination wave, as per IEEE C62.41, line-line and line-ground
<b>THD:</b>	<20%
<b>Power Factor:</b>	> 0.9

### Construction:

<b>Housing:</b>	Copper free aluminum
<b>Finish:</b>	Superior dual coat finish - Sealed polyester topcoat - Chemical-resistant epoxy primer
<b>Lens :</b>	Tempered glass

### Photometric Information:

<b>CRI:</b>	75
<b>CCT:</b>	5000K (cool white) 4000K (neutral white)

All values typical unless otherwise stated (tolerance +/- 10%)

<sup>1</sup>For information on chemical compatibility, please follow this link to reference Dialight's Chemical Compatibility Guide: [www.dialight.com/pubs/MDTFCHEMRFLX001.PDF](http://www.dialight.com/pubs/MDTFCHEMRFLX001.PDF)

# Vigilant® LED High Bay - UL / CSA

## Options and Accessories



**HBXW3-SSL-316**  
**HBXW3-SSL-304**

- Stainless steel bracket



**HBXCAB48**

- 48" long stainless steel safety rope (for use with safety bracket)



**HBXDC**

- 21° slope dust cover

**HBXDC45**

- 45° slope dust cover

**HBXDC60**

- 60° slope dust cover



**HBXW3-SSL-304FT**

- 304 stainless steel forward throw bracket

**HBXW3-SSL-316FT**

- 316 Stainless steel forward throw bracket



**HBXTH347480**

- Top hat with 347-480V AC step down transformer (Add 12W to light fixture power consumption)



**HBXH**

- Hook

Note: when hook or loop accessory is used the fixture is rated for dry locations only



**HBXW2**

- Swivel bracket and cable gland

**HBXW3**

- Swivel bracket



**HBXL**

- Loop

Note: when hook or loop accessory is used the fixture is rated for dry locations only



**HBXDUALBRCKT**

- Dual bracket



**HBXCU**

- Ceiling / wall mount



**HBXREF22**

- 22" Acrylic reflector (must be ordered with high bay, not a retrofit option)



**HBXCG**

- Cable gland



**HBXLENGC**

- Clear tempered glass

**HBXLENPC**

- Polycarbonate lens, clear

**HBXLENAC**

- Acrylic lens, clear



**LBXLENP**

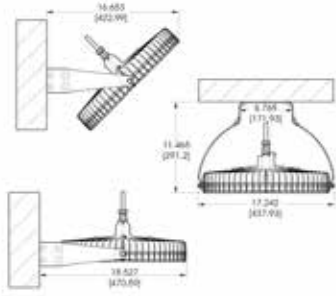
- Polycarbonate dome lens replacement



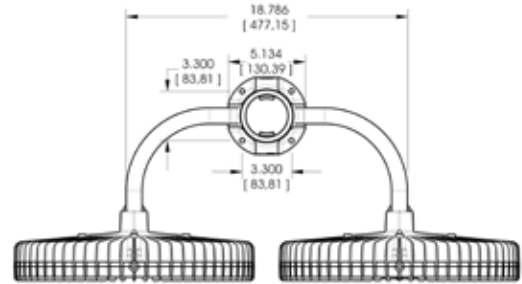
# Vigilant® LED High Bay - UL / CSA

## Options and Accessories Drawings

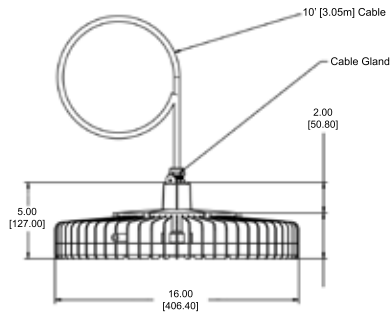
HBXW2 - Swivel Bracket and Cable Gland



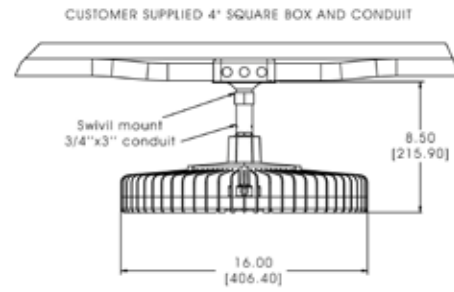
HBXDUALBRCKT - Dual Bracket



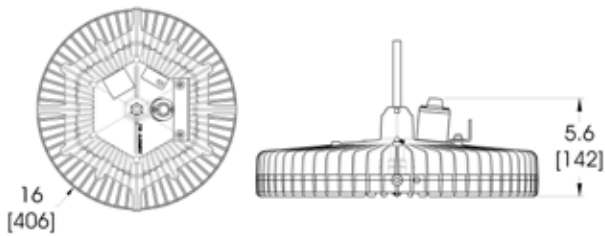
HBXCG - Cable Gland



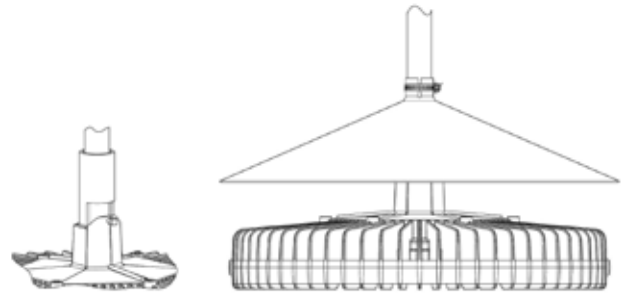
HBXCU - Ceiling Mount



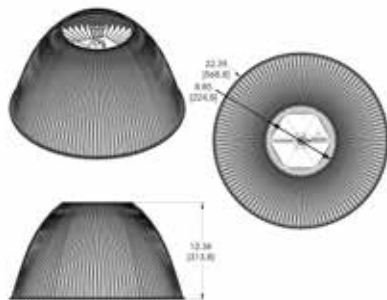
HEGMxxx-SGG - Safety Bracket and Fuse Options



HBXDC - Dust Cover



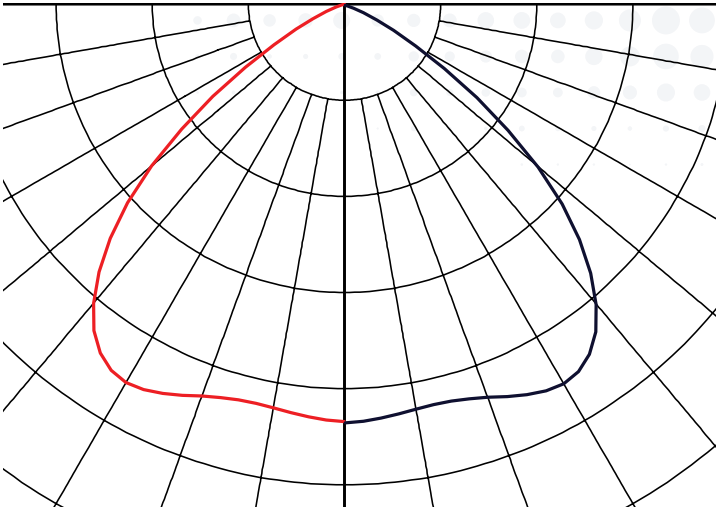
22" Acrylic Reflector - Consult factory



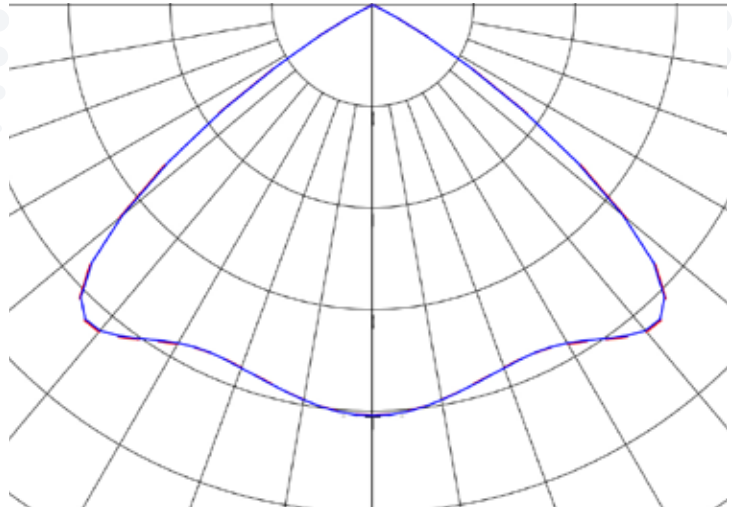
# Vigilant® LED High Bay - UL / CSA

## Light Distribution Pattern

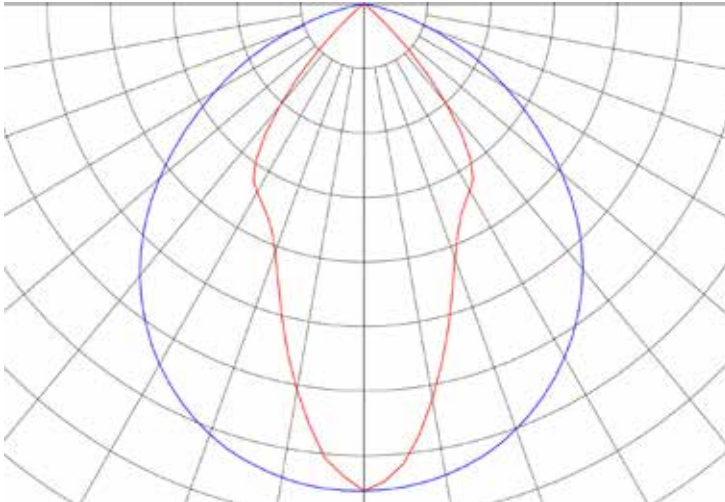
Medium pattern



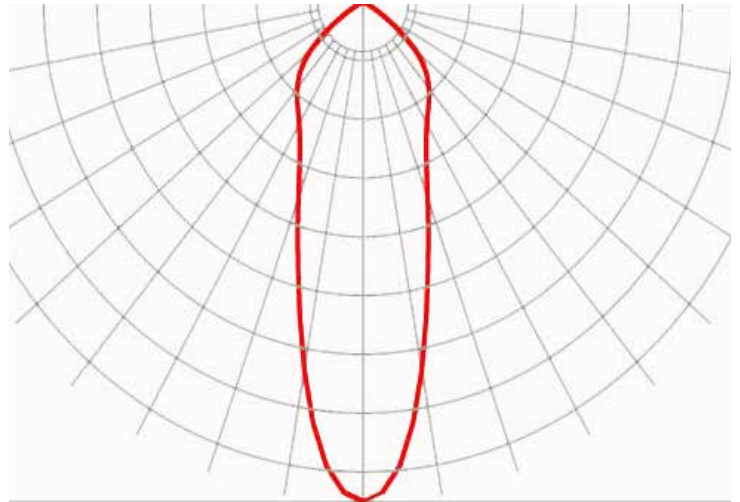
Wide pattern



Aisle pattern



Narrow pattern



# Vigilant® LED High Bay - UL / CSA

## Standard Models Ordering Information

Part Number	Fixture Lumen	Watt	LPW	Wet Location	Voltage	CCT	Lens	Optical Pattern
Standard Models								
HEGMC4PN-SNG	26,500	212	125	IP66	110 - 277V AC	5000K (cool white)	Tempered glass	Medium
HEGRC4PN-SNG	26,500	212	125	IP66	110 - 277V AC	5000K (cool white)	Tempered glass	Wide
HEGEC4PN-SNG	25,750	204	125	IP66	110 - 277V AC	5000K (cool white)	Tempered glass	Aisle
HEGNC4PN-SNG	26,500	212	125	IP66	110 - 277V AC	5000K (cool white)	Tempered glass	Narrow
HEGMC4KN-SNG	18,000	144	125	IP66	100 - 277V AC	5000K (cool white)	Tempered glass	Medium
HEGRC4KN-SNG	18,000	144	125	IP66	100 - 277V AC	5000K (cool white)	Tempered glass	Wide
HEGEC4KN-SNG	18,000	144	125	IP66	100 - 277V AC	5000K (cool white)	Tempered glass	Aisle
HEGNC4KN-SNG	18,000	144	125	IP66	100 - 277V AC	5000K (cool white)	Tempered glass	Narrow
HEGMC4GN-SNG	14,000	112	125	IP66	100 - 277V AC	5000K (cool white)	Tempered glass	Medium
HEGRC4GN-SNG	14,000	112	125	IP66	100 - 277V AC	5000K (cool white)	Tempered glass	Wide
HEGEC4GN-SNG	14,000	112	125	IP66	100 - 277V AC	5000K (cool white)	Tempered glass	Aisle
HEGNC4GN-SNG	14,000	112	125	IP66	100 - 277V AC	5000K (cool white)	Tempered glass	Narrow
HEGMC4DN-SNG	11,000	88	125	IP66	100 - 277V AC	5000K (cool white)	Tempered glass	Medium
HEGRC4DN-SNG	11,000	88	125	IP66	100 - 277V AC	5000K (cool white)	Tempered glass	Wide
HEGEC4DN-SNG	11,000	88	125	IP66	100 - 277V AC	5000K (cool white)	Tempered glass	Aisle
HEGNC4DN-SNG	11,000	88	125	IP66	100 - 277V AC	5000K (cool white)	Tempered glass	Narrow

All values typical unless otherwise stated, Lumen values are typical (tolerance +/- 10%).

All models shown in the table are Cool White, for models in Neutral White, 4000K CCT, replace the 5th character with an **N**. Ex: HEGMC4PN-SNG becomes HEGMN4PN-SNG. Deduct 5% from lumen values when specifying neutral.

For models needing a Safety Bracket, replace the 10th character with a **S**. Example HEGMC4PN-SNG becomes HEGMC4PN-SSG.

All models shown in the above table come with an internal fuse. For models needing an external fuse, replace the 10th character with an **E**. Ex: HEGMC4PN-SNG becomes HEGMC4PN-SEG. (Fixture will be listed damp location only with internal fuse).

For models needing both Safety Bracket & Fuse, replace the 10th character with an **SE**. Ex: HEGMC4PN-SNG becomes HEGMC4PN-SESG.

Part numbers with occupancy sensor that will be installed with Hook or Loop (HBXH or HBXL) accessories will require a counter balance installed prior to shipment. Replace the 10th character with an **C**. Ex: HEGMC4PN-SNG becomes HEGMC4PN-SCG.

Part numbers listed in the tables above come with a glass lens. For models needing a polycarbonate dome lens, replace the 3rd character with a **L**. Ex: HEGMC4PN-SNG becomes HELMC4PN-SNG. For models needing a flat polycarbonate lens, replace the 3rd character with a **2**. Ex: HEGMC4PN-SNG becomes HE2MC4PN-SNG. For models needing a flat acrylic lens, replace the 3rd character with a **A**. Ex: HEGMC4PN-SNG becomes HEAMC4PN-SNG. Dome & acrylic lens not available on power wash models, please use glass or flat polycarbonate.

# Vigilant® LED High Bay - UL / CSA

## Integrated Wiring Box Models Ordering Information

Part Number	Fixture Lumen	Watt	LPW	Wet Location	Voltage	CCT	Lens	Optical Pattern
<b>Hook Integrated Wiring Box Models</b>								
HJUGMC4PN-HNNG	26,500	212	125	IP66	110 - 277V AC	5000K (cool white)	Tempered glass	Medium
HJUGRC4PN-HNNG	26,500	212	125	IP66	110 - 277V AC	5000K (cool white)	Tempered glass	Wide
HJUGEC4PN-HNNG	25,750	204	125	IP66	110 - 277V AC	5000K (cool white)	Tempered glass	Aisle
HJUGNC4PN-HNNG	26,500	212	125	IP66	110 - 277V AC	5000K (cool white)	Tempered glass	Narrow
HJUGMC4KN-HNNG	18,000	144	125	IP66	100 - 277V AC	5000K (cool white)	Tempered glass	Medium
HJUGRC4KN-HNNG	18,000	144	125	IP66	100 - 277V AC	5000K (cool white)	Tempered glass	Wide
HJUGEC4KN-HNNG	18,000	144	125	IP66	100 - 277V AC	5000K (cool white)	Tempered glass	Aisle
HJUGNC4KN-HNNG	18,000	144	125	IP66	100 - 277V AC	5000K (cool white)	Tempered glass	Narrow
HJUGMC4GN-HNNG	14,000	112	125	IP66	100 - 277V AC	5000K (cool white)	Tempered glass	Medium
HJUGRC4GN-HNNG	14,000	112	125	IP66	100 - 277V AC	5000K (cool white)	Tempered glass	Wide
HJUGEC4GN-HNNG	14,000	112	125	IP66	100 - 277V AC	5000K (cool white)	Tempered glass	Aisle
HJUGNC4GN-HNNG	14,000	112	125	IP66	100 - 277V AC	5000K (cool white)	Tempered glass	Narrow
HJUGMC4DN-HNNG	11,000	88	125	IP66	100 - 277V AC	5000K (cool white)	Tempered glass	Medium
HJUGRC4DN-HNNG	11,000	88	125	IP66	100 - 277V AC	5000K (cool white)	Tempered glass	Wide
HJUGEC4DN-HNNG	11,000	88	125	IP66	100 - 277V AC	5000K (cool white)	Tempered glass	Aisle
HJUGNC4DN-HNNG	11,000	88	125	IP66	100 - 277V AC	5000K (cool white)	Tempered glass	Narrow
<b>Conduit Integrated Wiring Box Models</b>								
HJUGMC4PN-SNNG	26,500	212	125	IP66	110 - 277V AC	5000K (cool white)	Tempered glass	Medium
HJUGRC4PN-SNNG	26,500	212	125	IP66	110 - 277V AC	5000K (cool white)	Tempered glass	Wide
HJUGEC4PN-SNNG	25,750	204	125	IP66	110 - 277V AC	5000K (cool white)	Tempered glass	Aisle
HJUGNC4PN-SNNG	26,500	212	125	IP66	110 - 277V AC	5000K (cool white)	Tempered glass	Narrow
HJUGMC4KN-SNNG	18,000	144	125	IP66	100 - 277V AC	5000K (cool white)	Tempered glass	Medium
HJUGRC4KN-SNNG	18,000	144	125	IP66	100 - 277V AC	5000K (cool white)	Tempered glass	Wide
HJUGEC4KN-SNNG	18,000	144	125	IP66	100 - 277V AC	5000K (cool white)	Tempered glass	Aisle
HJUGNC4KN-SNNG	18,000	144	125	IP66	100 - 277V AC	5000K (cool white)	Tempered glass	Narrow
HJUGMC4GN-SNNG	14,000	112	125	IP66	100 - 277V AC	5000K (cool white)	Tempered glass	Medium
HJUGRC4GN-SNNG	14,000	112	125	IP66	100 - 277V AC	5000K (cool white)	Tempered glass	Wide
HJUGEC4GN-SNNG	14,000	112	125	IP66	100 - 277V AC	5000K (cool white)	Tempered glass	Aisle
HJUGNC4GN-SNNG	14,000	112	125	IP66	100 - 277V AC	5000K (cool white)	Tempered glass	Narrow
HJUGMC4DN-SNNG	11,000	88	125	IP66	100 - 277V AC	5000K (cool white)	Tempered glass	Medium
HJUGRC4DN-SNNG	11,000	88	125	IP66	100 - 277V AC	5000K (cool white)	Tempered glass	Wide
HJUGEC4DN-SNNG	11,000	88	125	IP66	100 - 277V AC	5000K (cool white)	Tempered glass	Aisle
HJUGNC4DN-SNNG	11,000	88	125	IP66	100 - 277V AC	5000K (cool white)	Tempered glass	Narrow

All values typical unless otherwise stated, Lumen values are typical (tolerance +/- 10%).

All models shown in the table are Cool White, for models in Neutral White, 4000K CCT, replace the 5th character with an **N**. Ex: HEGMC4PN-SNG becomes HEGMN4PN-SNG. Deduct 5% from lumen values when specifying neutral.

For models needing a Safety Bracket, replace the 10th character with a **S**. Example HEGMC4PN-SNG becomes HEGMC4PN-SSG.

All models show in the above table come with an internal fuse. For models needing an external fuse, replace the 10th character with an **E**. Ex: HEGMC4PN-SNG becomes HEGMC4PN-SEG. (Fixture will be listed damp location only with internal fuse).

For models needing both Safety Bracket & Fuse, replace the 10th character with an **SE**. Ex: HEGMC4PN-SNG becomes HEGMC4PN-SEEG.

Part numbers with occupancy sensor that will be installed with Hook or Loop (HBXH or HBXL) accessories will require a counter balance installed prior to shipment. Replace the 10th character with an **C**. Ex: HEGMC4PN-SNG becomes HEGMC4PN-SCG.

Part numbers listed in the tables above come with a glass lens. For models needing a polycarbonate dome lens, replace the 3rd character with a **L**. Ex: HEGMC4PN-SNG becomes HELMC4PN-SNG. For models needing a flat acrylic lens, replace the 3rd character with a **L**. Ex: HEGMC4PN-SNG becomes HELMC4PN-SNG. Dome & acrylic lens not available on power wash models, please use glass or flat polycarbonate.

# Vigilant® LED High Bay - UL / CSA

## Occupancy Sensor / Variable Dimming / Powerwash Models Ordering Information

Part Number	Fixture Lumen	Watt	LPW	Wet Location	Voltage	CCT	Lens	Optical Pattern
<b>Occupancy Sensor Models</b>								
HEGMC1PM-SNG	26,500	212	125	IP65	110 - 277V AC	5000K (cool white)	Tempered glass	Medium
HEGRC1PM-SNG	26,500	212	125	IP65	110 - 277V AC	5000K (cool white)	Tempered glass	Wide
HEGMC1KM-SNG	18,000	144	125	IP65	100 - 277V AC	5000K (cool white)	Tempered glass	Medium
HEGRC1KM-SNG	18,000	144	125	IP65	100 - 277V AC	5000K (cool white)	Tempered glass	Wide
HEGMC1GM-SNG	14,000	112	125	IP65	100 - 277V AC	5000K (cool white)	Tempered glass	Medium
HEGRC1GM-SNG	14,000	112	125	IP65	100 - 277V AC	5000K (cool white)	Tempered glass	Wide
HEGMC1DM-SNG	11,000	88	125	IP65	100 - 277V AC	5000K (cool white)	Tempered glass	Medium
HEGRC1DM-SNG	11,000	88	125	IP65	100 - 277V AC	5000K (cool white)	Tempered glass	Wide
<b>Variable Dimming Models</b>								
HEGMC4PD-SNG	26,500	212	125	IP66	110 - 277V AC	5000K (cool white)	Tempered glass	Medium
HEGRC4PD-SNG	26,500	212	125	IP66	110 - 277V AC	5000K (cool white)	Tempered glass	Wide
HEGMC4KD-SNG	18,000	144	125	IP66	100 - 277V AC	5000K (cool white)	Tempered glass	Medium
HEGRC4KD-SNG	18,000	144	125	IP66	100 - 277V AC	5000K (cool white)	Tempered glass	Wide
HEGMC4GD-SNG	14,000	112	125	IP66	100 - 277V AC	5000K (cool white)	Tempered glass	Medium
HEGRC4GD-SNG	14,000	112	125	IP66	100 - 277V AC	5000K (cool white)	Tempered glass	Wide
HEGMC4DD-SNG	11,000	88	125	IP66	100 - 277V AC	5000K (cool white)	Tempered glass	Medium
HEGRC4DD-SNG	11,000	88	125	IP66	100 - 277V AC	5000K (cool white)	Tempered glass	Wide
<b>Powerwash Models</b>								
HEGMC4PN-SPG	26,500	212	125	1000 PSI	110 - 277V AC	5000K (cool white)	Tempered glass	Medium
HEGRC4PN-SPG	26,500	212	125	1000 PSI	110 - 277V AC	5000K (cool white)	Tempered glass	Wide
HEGMC4KN-SPG	18,000	144	125	1000 PSI	100 - 277V AC	5000K (cool white)	Tempered glass	Medium
HEGRC4KN-SPG	18,000	144	125	1000 PSI	100 - 277V AC	5000K (cool white)	Tempered glass	Wide
HEGMC4GN-SPG	14,000	112	125	1000 PSI	100 - 277V AC	5000K (cool white)	Tempered glass	Medium
HEGRC4GN-SPG	14,000	112	125	1000 PSI	100 - 277V AC	5000K (cool white)	Tempered glass	Wide
HEGMC4DN-SPG	11,000	88	125	1000 PSI	100 - 277V AC	5000K (cool white)	Tempered glass	Medium
HEGRC4DN-SPG	11,000	88	125	1000 PSI	100 - 277V AC	5000K (cool white)	Tempered glass	Wide

All values typical unless otherwise stated, Lumen values are typical (tolerance +/- 10%).

All models shown in the table are Cool White, for models in Neutral White, 4000K CCT, replace the 5th character with an **N**. Ex: HEGMC4PN-SNG becomes HEGMN4PN-SNG. Deduct 5% from lumen values when specifying neutral.

For models needing a Safety Bracket, replace the 10th character with a **S**. Example HEGMC4PN-SNG becomes HEGMC4PN-**SSG**.

All models show in the above table come with an internal fuse. For models needing an external fuse, replace the 10th character with an **E**. Ex: HEGMC4PN-SNG becomes HEGMC4PN-**SEG**.

(Fixture will be listed damp location only with internal fuse).

For models needing both Safety Bracket & Fuse, replace the 10th character with an **SE**. Ex: HEGMC4PN-SNG becomes HEGMC4PN-**SESG**.

Part numbers with occupancy sensor that will be installed with Hook or Loop (HBXH or HBXL) accessories will require a counter balance installed prior to shipment. Replace the 10th character with an **C**.

Ex: HEGMC4PN-SNG becomes HEGMC4PN-**SCG**.

Part numbers listed in the tables above come with a glass lens. For models needing a polycarbonate dome lens, replace the 3rd character with a **L**. Ex: HEGMC4PN-SNG becomes HE**L**MC4PN-SNG. For models needing a flat acrylic lens, replace the 3rd character with a **J**. Ex: HEGMC4PN-SNG becomes HE**J**MC4PN-SNG. Dome & acrylic lens not available on power wash models, please use glass or flat polycarbonate.

