

# Itray

## IT'S CABLE TRAY, REINVENTED



3233 W Hunting Park Avenue, Philadelphia PA 19132-1845  
(800) 79-ROYAL (215) 221-1200 fax (215) 221-1201  
advisors@royalelectric.com www.royalelectric.com

**WE GET IT**  
24/7 Emergency Material Access

designed to be better.™



# Introducing Itray from Legrand

## WHAT'S NEW!

EASY TO UNDERSTAND PRODUCT CODING

### Straight Sections identified by NEMA Class

**STRAIGHT SECTION CATALOG NUMBERING EXAMPLE:**

BOTTOM TYPE	← 09 - 4 A 12 B - S 144 - 06 →			WIDTH
<b>VENTED</b>				06 - 6"
06 - 6" Rung Spacing				09 - 9"
09 - 9" Rung Spacing				12 - 12"
12 - 12" Rung Spacing				18 - 18"
VC - Vented Corrugated				24 - 24"
<b>NON-VENTED</b>				30 - 30"
SC - Solid Corrugated				36 - 36"
SB - Solid Bottom				
	<b>RAIL HEIGHT</b>	<b>NEMA CLASS</b>	<b>LENGTH</b>	
	4 - 4"	A	S120 - 120"	
	5 - 5"		S144 - 144"	
	6 - 6"		S240 - 240"	
	7 - 7"		S288 - 280"	

Overall rail height is clearly marked with 4" to 7" heights available.

The tray system number is the same as the NEMA Class - no cross-reference needed.

The tray material is listed as well. Currently Itray will only be offered in Aluminum. Stronger I-beam construction means no series choice is needed.

It's the newest addition to the PW Line of cable tray products. It was designed with many value-added features to streamline the engineering, purchasing and installation of cable tray. Itray will replace our current aluminum 4" to 7" side rail height ladder tray line. Our current Heavy-Duty, 8" and 10" sidewall height Long Span tray will still be offered as before.

### Easy to understand fitting dimensions

**HORIZONTAL ELBOW CATALOG NUMBERING EXAMPLE:**

BOTTOM TYPE	← LD - 4 A - 90 HB 12 - 06 →			WIDTH
<b>VENTED</b>				06 - 6"
LD - Ladder Rung				09 - 9"
VC - Vented Corrugated				12 - 12"
<b>NON-VENTED</b>				18 - 18"
SC - Solid Corrugated				24 - 24"
SB - Solid Bottom				30 - 30"
	<b>RAIL HEIGHT</b>	<b>FITTING DESCRIPTION</b>	<b>RADIUS</b>	
	4 - 4"	A	12 - 12"	
	5 - 5"		24 - 24"	
	6 - 6"		36 - 36"	
	7 - 7"			

Overall rail height is clearly marked with 4" to 7" heights available.

Radius measurement is now clearly shown.

The tray material is listed as well. Currently Itray will only be offered in Aluminum. Stronger I-beam construction means no series choice is needed.

No complicated Fitting System Number or Product Number. The Fitting Description is now an abbreviated form of the product name.



# WHAT'S NEW!

## REVOLUTIONARY SPLICE DESIGN

### Splicing made easy

#### ITRAY SPLICE SNAPS IN PLACE DURING INSTALLATION

- Keeps tray sections aligned while installer inserts and tightens bolts
- Functions as a self-holding drill template

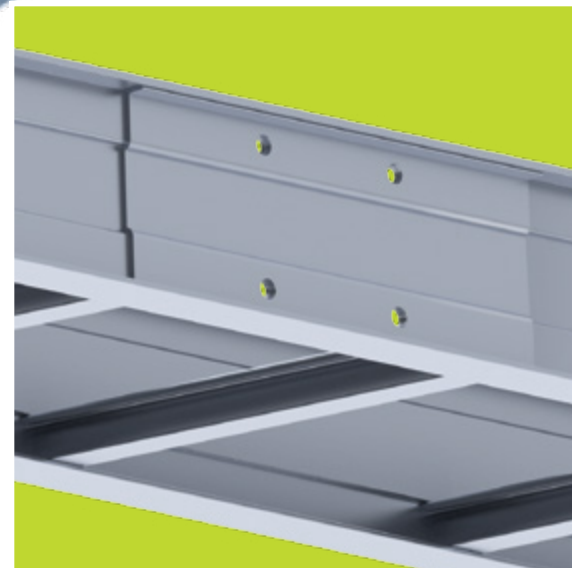
#### ITRAY SPLICE REDUCES HARDWARE NEEDED BY HALF

- Only four bolts required per splice
- Features round holes for easier field fabrication
- Uses self-holding, rib-necked bolts
- Bolts also feature Phillips-type head for oversized field drilled bolt holes

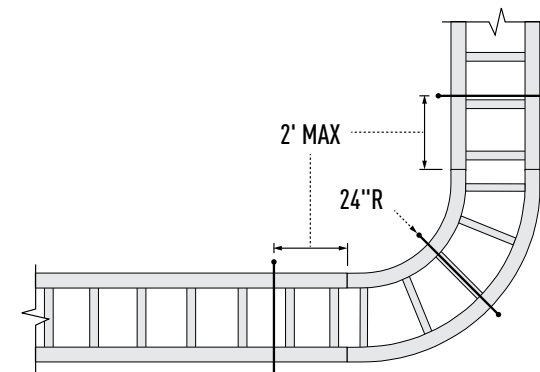
### Mid-span splicing standard

#### OPTIMIZED SIDE RAIL DESIGN ALLOWS MID-SPAN SPLICING WHILE MAINTAINING FULL NEMA LOAD CLASS

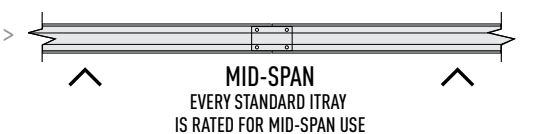
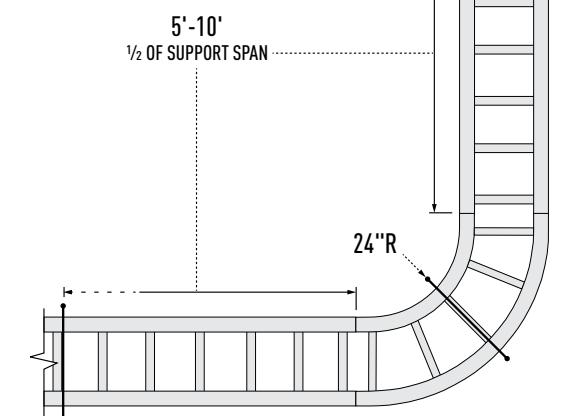
- Mid-span splice makes Itray easy to design and engineer
- Needs fewer supports for fittings than VE-2 NEMA requirements
- Reduces number of straight sections to be cut to avoid mid-span splicing
- Eliminates field drilling and extra hardware for "special" mid-span splice plates



#### NEMA VE-2 SUPPORT REQUIREMENT



#### PW ITRAY SUPPORT REQUIREMENT



# WHAT'S NEW!

## ENGINEERED SIDE RAIL

### I-beam side rail design creates a stronger tray

Its all aluminum construction features space saving I-beam construction, a side rail engineered with structural offsets and a matching splice. These features allow Itray to be installed up to 30% faster than standard tray, using half the hardware.

#### OPTIMIZED SIDE RAIL DESIGN FEATURES A STRUCTURAL OFFSET FOR A LIGHTER, STRONGER TRAY

- Creates better rung attachment
- Keeps weld marks to a minimum

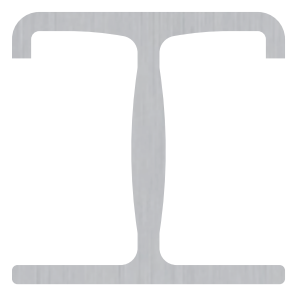
#### I-BEAM DESIGN MINIMIZES TOTAL TRAY WIDTH FOR TIGHT SPACES

- Combines the best features of flange-in and flange-out tray styles

#### I-BEAM EDGE PROFILE KEEPS ATTACHMENT HARDWARE IN PLACE

- Keeps support attachments from slipping off tray lip

### Stronger I-beam rung design



#### ITRAY FEATURES THE STRONGEST RUNG IN THE INDUSTRY

- I-beam rung design reduces twist and deflection under load
- Heavier I-beam rungs are standard on wider tray – no need for special order

### Easy clamp covers

#### ITRAY FEATURES THREE COVER STYLES TO FIT YOUR APPLICATION

- All covers are flanged with bend-over tabs for easy clamping
- Itray side rails are contoured to keep clamped covers secure
- Covers can also be screwed in place
- Wrap-around cover clamps are available for outdoor applications

SOLID FLAT FLANGED

LOUVERED FLANGED

SOLID PEAKED FLANGED



# WHAT'S NEW!

## FITTINGS THAT FIT WELL

### Smoother finished installations

#### SMOOTH SIDE RAIL DESIGN CREATES NATURAL PATH FOR CABLES

- 3" tangent follows industry standards
- Transition splices are available for older, existing installations

#### TRAY FITTINGS AND STRAIGHT SECTIONS HAVE MATCHING SIDE RAIL CONFIGURATIONS

- No protruding edges at spliced joints
- Makes cable pulling easier and reduces damage to the cable sheath

### Symmetric side rail design

- Ceiling-to-wall transitions can be made without field fabrication
- Allows hold clamps from inside or outside flanges