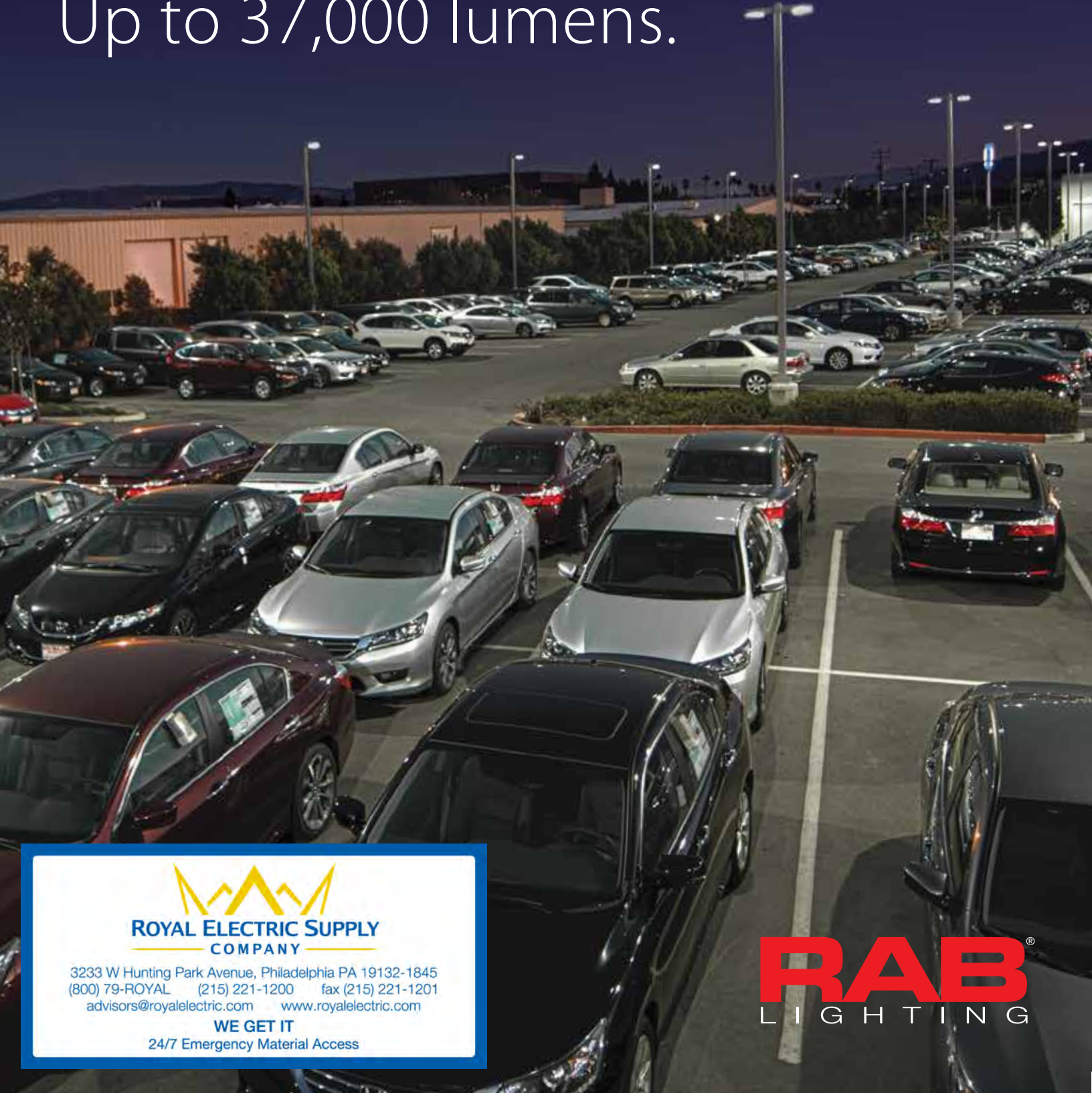


1000W equivalent LED area lights. Up to 37,000 lumens.



**ROYAL ELECTRIC SUPPLY
COMPANY**

3233 W Hunting Park Avenue, Philadelphia PA 19132-1845
(800) 79-ROYAL (215) 221-1200 fax (215) 221-1201
advisors@royalelectric.com www.royalelectric.com

WE GET IT
24/7 Emergency Material Access

RAB[®]
LIGHTING

ALED360

- Replace up to 1000W metal halide area lights, saving up to \$368 annually per fixture
- Available in Type II, III and IV distributions, and in 260W or 360W
- Optional integrated motion sensor/photocell for multi-level control
- Optional bi-level dimming (enables 25, 50 or 75% dimming)*
- Multiple mounting options: pole, slipfitter or wall
- 5 Pin and 7 Pin ANSI 136.41 control receptacles available
- 100,000-Hour LED lifespan

*Consult factory for details.



All are DLC listed except slipfitter models



Patent-pending Air Flow technology for superior thermal management



Twistlock photocell can support up to 480V.



Optional, factory-installed Lightcloud™ Controller (see back page).



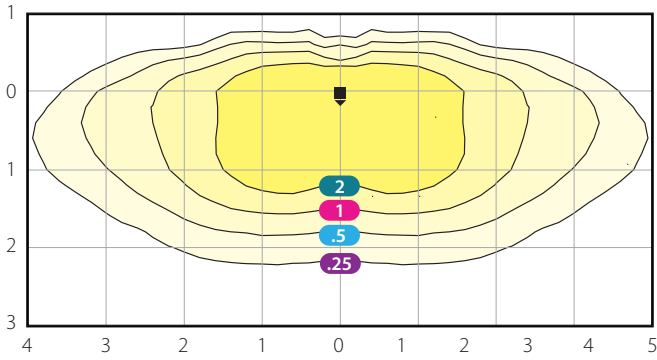
Optional motion sensor/photocell for multi-level control. Two detection patterns available.

Photometrics

ALED 360W TYPE II

35' Mounting Height

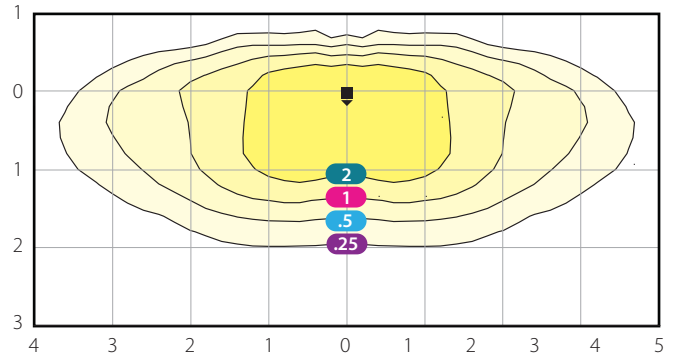
Photometric Report #RAB01585



ALED 260W TYPE II

35' Mounting Height

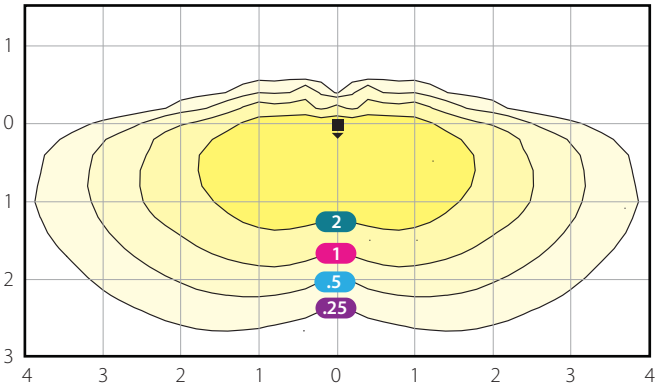
Photometric Report #RAB01807



ALED 360W TYPE III

35' Mounting Height

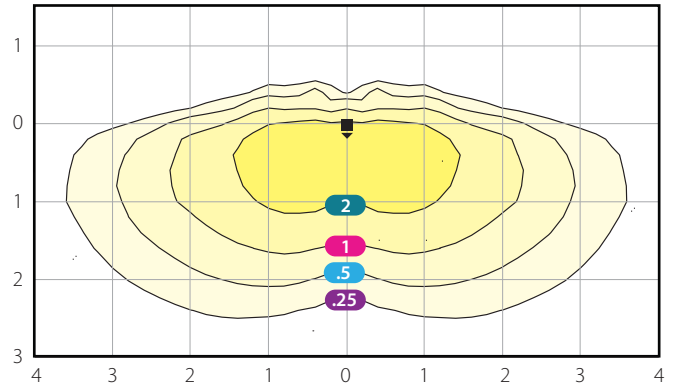
Photometric Report #RAB01835



ALED 260W TYPE III

35' Mounting Height

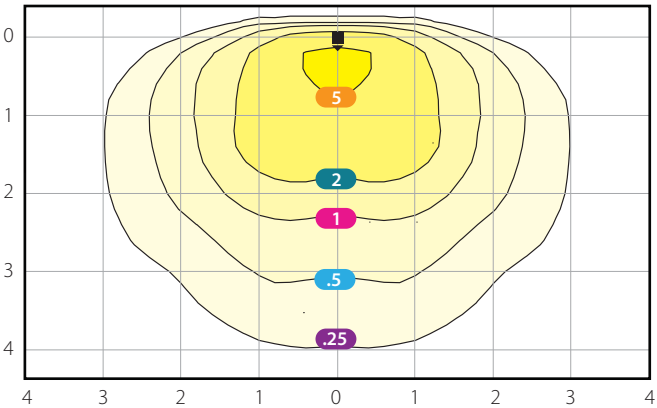
Photometric Report #RAB01839



ALED 360W TYPE IV

35' Mounting Height

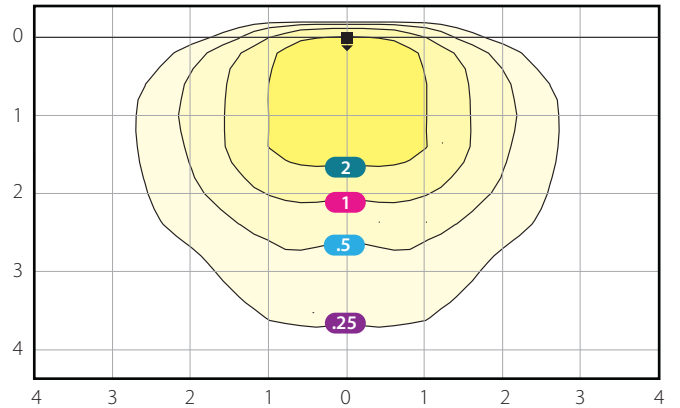
Photometric Report #RAB01822



ALED 260W TYPE IV

35' Mounting Height

Photometric Report #RAB01809



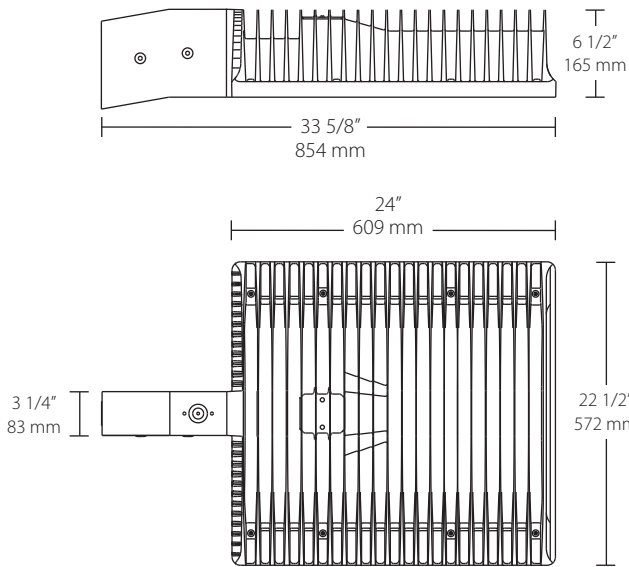
Grid scales: Multiples of mounting height
Values shown in footcandles

Mounting Height	25	30	35	40	45
Multiplier	1.4	1.2	1.0	0.8	0.7

Dimensions & weights

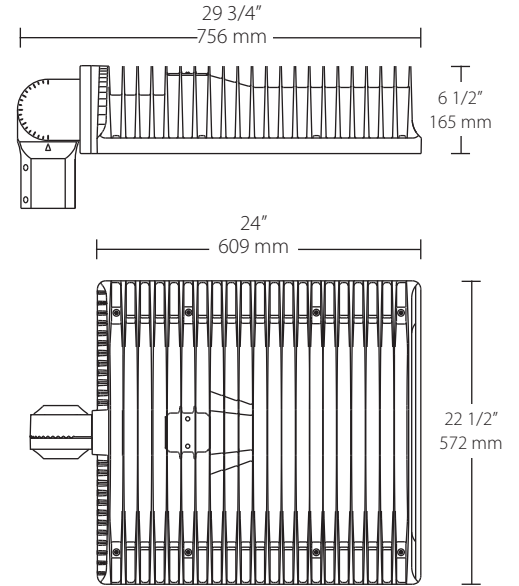
POLE MOUNT ALED

Weight: 79 lbs. EPA: 1.2



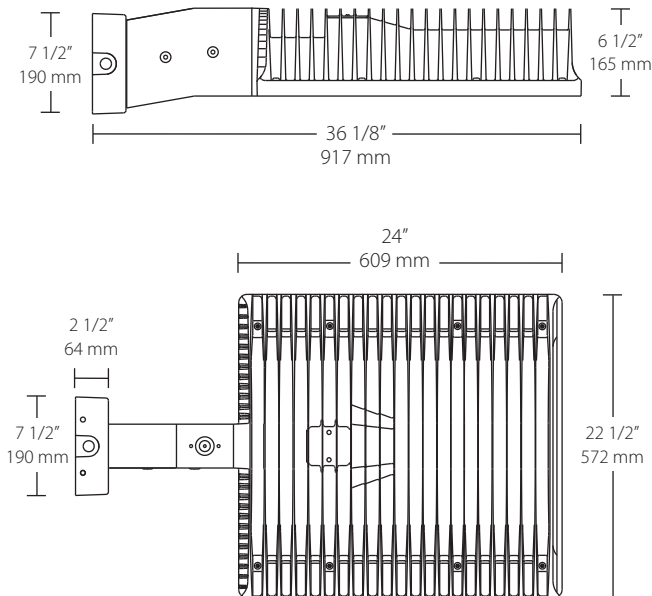
SLIPFITTER MOUNT ALED

Weight: 75 lbs. EPA: 5.0



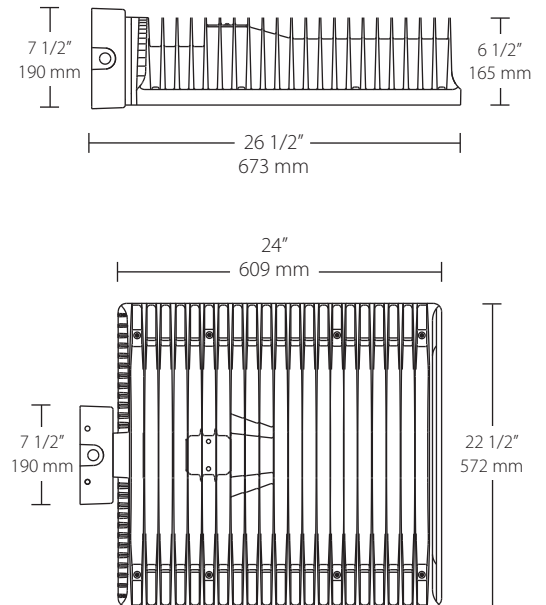
WALL MOUNT (WPLED)

Weight: 82 lbs.



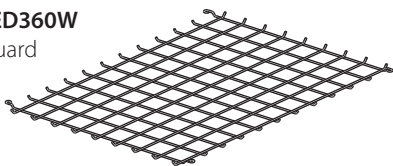
FLAT WALL MOUNT (WPLED)

Weight: 78 lbs.

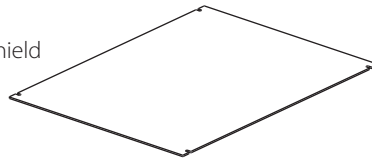


Accessories

GDALED360W
Wire Guard

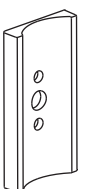


GDALED360P
Polycarbonate shield



RPA3-ALED360
RPA35-ALED360
RPA4-ALED360
RPA5-ALED360
RPA6-ALED360

Round pole adapter for 3", 3.5", 4", 5" or 6" pole.



RSP10-120 10kV Surge Protector (120V)
RSP10-277 10kV Surge Protector (277V)
RSP10-480 10kV Surge Protector (480V)

ALED® 260/360 Specifications

UL Listing: Suitable for wet locations

LEDs: Multi-chip, high-output, long-life LEDs

Lifespan: 100,000-hour LED lifespan based on IES LM-80 results and TM-21 calculations

IP Rating: Rated IP66, protected against dust and water ingress

Drivers:

360W: Class 1, Constant current, 100 - 277V and 480V, 50/60 Hz, 120V: 3.0A, 208V: 1.8A, 240V: 1.5A, 277V: 1.3A, 4kV surge protection

260W: Class 1, Constant current, 100 - 277V and 480V, 50/60 Hz, 120V: 2.2A, 208V: 1.3A, 240V: 1.1A, 277V: 1.0A, 4kV surge protection

Dimming: 0-10V dimming standard

Ambient Temperature: Suitable for use in 40°C ambient temperatures

Cold Weather Starting: The minimum starting temperature is -40°C

Thermal Management: Superior thermal management with external "Air Flow" fins

Housing: Die-cast aluminum

Mounting: Pole mount arm, slipfitter, wall mount arm, flat wall mount.

Lens: Tempered glass

Reflector: Vacuum-metalized polycarbonate

Optics: Type II, Type III and Type IV available

Gaskets: High-temperature silicone gaskets

Color Stability: LED color temperature is warranted to shift no more than 200K in CCT over a 5 year period.

Color Uniformity: RAB's range of CCT (Correlated Color Temperature) follows the guidelines of the American National Standard for Specifications for the Chromaticity of Solid State Lighting (SSL) Products, ANSI C78.377-2015.

Finish: Our environmentally friendly polyester powder coatings are formulated for high-durability and long-lasting color, and contain no VOC or toxic heavy metals.

Green Technology: Mercury and UV free, and RoHS compliant. Polyester powder coat finish formulated without the use of VOC or toxic heavy metals.

IESNA LM-79 & LM-80 Testing: RAB LED luminaires have been tested in accordance with IESNA LM-79 and LM-80, and have received the Department of Energy "Lighting Facts" label.

360W

Type II Distribution

Color Temperature	5000K	4000K	3000K
Input Watts	360	359	361
Output Lumens	36,664	35,818	35,939
Lumens Per Watt	102	100	100
Color Accuracy (CRI)	71	70	70

Type III Distribution

Color Temperature	5000K	4000K	3000K
Input Watts	365	361	360
Output Lumens	36,736	36,337	34,977
Lumens Per Watt	101	101	97
Color Accuracy (CRI)	70	72	70

Type IV Distribution

Color Temperature	5000K	4000K	3000K
Input Watts	359	356	358
Output Lumens	37,366	36,388	35,786
Lumens Per Watt	104	102	100
Color Accuracy (CRI)	71	71	70

260W

Type II Distribution

Color Temperature	5000K	4000K	3000K
Input Watts	265	265	261
Output Lumens	27,992	27,692	26,704
Lumens Per Watt	106	105	102
Color Accuracy (CRI)	70	71	70

Type III Distribution

Color Temperature	5000K	4000K	3000K
Input Watts	262	254	258
Output Lumens	28,037	26,734	26,289
Lumens Per Watt	107	106	102
Color Accuracy (CRI)	70	71	70

Type IV Distribution

Color Temperature	5000K	4000K	3000K
Input Watts	263	261	262
Output Lumens	27,428	28,299	26,888
Lumens Per Watt	105	108	103
Color Accuracy (CRI)	70	71	70

Ordering information

Product Family	Distribution	Wattage	Color Temp	Mounting	Finish	Driver Options	Sensor Options
ALED	2T Type II 3T Type III 4T Type IV	260 260W 360 360W	Blank 5000K N 4000K Y 3000K	Blank Pole SF Slipfitter	Blank Bronze W White	/D10 120-277V, 0-10V Dimming /480/D10 480V, 0-10V Dimming	/PCT 120-277V Twistlock photocell /PCT4 480V Twistlock photocell /WS4 Motion sensor/photocell (40' H/60' D)*† /WS10 Motion sensor/photocell (40' H/100' D)*† /LC Lightcloud™ Controller* /5PR 5 Pin Receptacle* /7PR 7 Pin Receptacle*

* Not available for slipfitter models.
 † Not available for 480V models.

Product Family	Distribution	Wattage	Color Temp	Mounting	Finish	Driver Options	Sensor Options
WPLED	2T Type II 3T Type III 4T Type IV	260 260W 360 360W	Blank 5000K N 4000K Y 3000K	Blank Arm FX Flat mount	Blank Bronze W White	/D10 120-277V, 0-10V Dimming /480/D10 480V, 0-10V Dimming	/PCT 120-277V Twistlock photocell /PCT4 480V Twistlock photocell /WS4 Motion sensor/photocell (40' H/60' D)*† /WS10 Motion sensor/photocell (40' H/100' D)*† /LC Lightcloud™ Controller* /5PR 5 Pin Receptacle* /7PR 7 Pin Receptacle*

* Not available for flat mount models.
 † Not available for 480V models.

ALED360 available with Lightcloud™.

Lightcloud is a commercial wireless lighting control system and service, fully developed and supported by RAB.

- Save up to 68% on energy costs from lighting
- Use your mobile device, tablet or computer for switching and dimming of individual fixtures or entire areas
- Programmable schedules let you illuminate a zone only when needed, automatically adjusting for sunrise and sunset times
- Complimentary rebate assistance and lighting design services

