

**Configurations to accommodate numerous run and tap combinations and modular in design for endless versatility.**

# Not a Chip Off the Old Block

## **NEW!** VERSIPOLE™ Configurable Series Power Distribution Blocks

Introducing the next generation of BURNDY® VERSIPOLE™ Power Distribution Blocks which are UL Listed with flexible conductor, built tough with a 1,000VAC/DC rating and designed for both DIN rail mounting and panel mounting on the medium and large models.

The new Finger-Safe models, available in all sizes and configurations, provide protection from potentially energized surface contact.



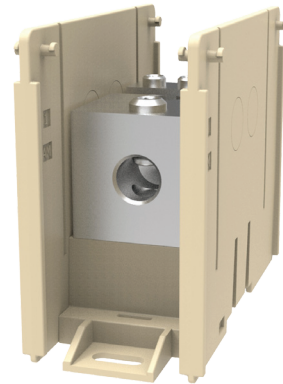
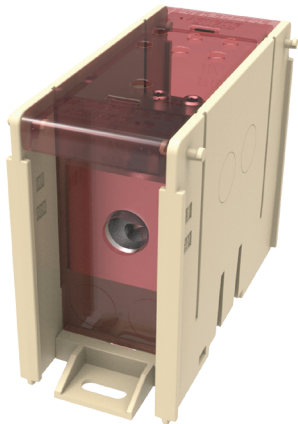
Connecting Power to Your World™



[www.burndy.com](http://www.burndy.com)

# BURNDY® announces release of VERSIPOLE™ Configurable Power Distribution Blocks

Available in either Finger-Safe or Open Styles



PRESS RELEASE

BURNDY®, a leading manufacturer and provider of connector solutions to the industrial, energy, construction, telecommunication, petrochemical, data center, and transportation industries, announces the introduction of VERSIPOLE™ Configurable Series Power Distribution Blocks. These are typically used in electrical panels and wireways for splicing cables and distributing power from primary run(s) to secondary/branch circuits.

These blocks are Listed to Standard UL1953. Each configuration is also now available in an “Open” style and “Finger-Safe” style. Finger-Safe styles include a plastic top cover and plastic end plates that protect from accidental contact with potentially energized surfaces and meet requirements of IEC 60527 with an IP-20 rating. Although offered in standard 1, 2, or 3 pole configurations to support a variety of common run and tap combinations, the configurable series can also be designed to accommodate an infinite number of made-to-order combinations. Adders are available to expand the number of poles of an existing configuration. Optional translucent polycarbonate hinged covers for use with the “Open” style are available separately to provide increased user protection.



**ROYAL ELECTRIC SUPPLY  
COMPANY**

3233 W Hunting Park Avenue, Philadelphia PA 19132-1845  
(800) 79-ROYAL (215) 221-1200 fax (215) 221-1201  
advisors@royalelectric.com www.royalelectric.com

**WE GET IT**  
24/7 Emergency Material Access

# Mechanical Connectors

VERSIPOLE™; Configurable Power Distribution Blocks for Copper and Aluminum



## VERSIPOLE™

UL Listed 1953

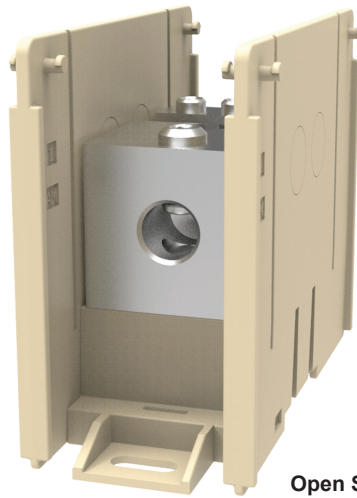
Finger-Safe IEC 60527; IP-20 Rating

The VERSIPOLE™ Configurable Series Power Distribution Blocks are used for splicing and distributing power from primary run(s) to secondary/branch circuits. They are offered in standard one, two, or three pole configurations. Each configuration is available in either an “Open” or “Finger-Safe” style. The configurable series can also be designed to accommodate an infinite number of made-to-order combinations.

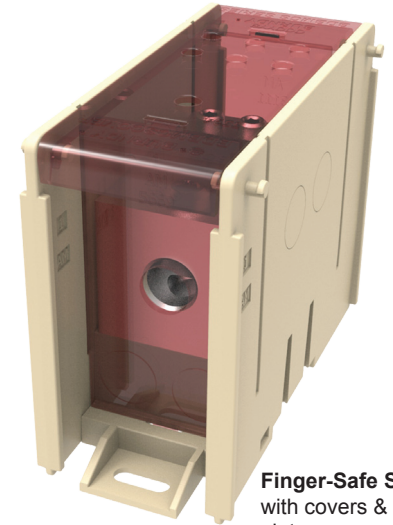
### Features & Benefits



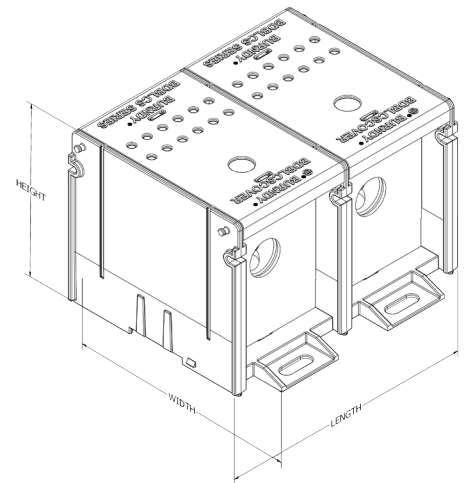
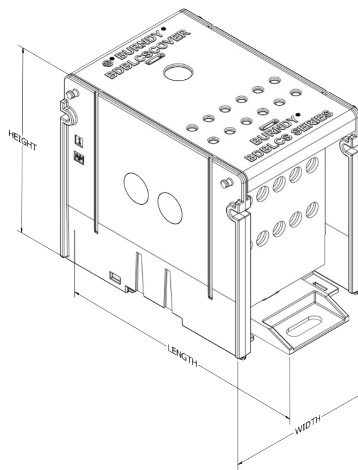
- 1000 Volt rated
- Listed to UL1953
- Rated for use with both code and flex conductor without requiring ferrules
- Available in three sizes for space optimization
- AL9CU dual rated for use with copper and aluminum conductors
- Range taking designs accommodate wire sizes up to 535 DLO and can support 1 or 2 run conductors and up to 12 taps for secondary circuits
- Allow for panel mounting; medium and large sizes also allow for DIN rail mounting
- Finger-Safe style are provided with translucent polycarbonate top covers and end plates to permit easy visual inspection and provide IEC 60529 IP-20 Rating
- High Short-Circuit Current rating up to 100kA with proper fusing
- Bases and side barriers of glass-reinforced nylon 6/6 for extra durability and excellent insulating properties; carry a UL94 flammability rating of V0



Open Style



Finger-Safe Style with covers & end plates



### Small Series:

Catalog Number		# of Conductors		Wire Range		# of Poles	Dimensions			Amp Rating per Pole	SCCR <sup>1</sup>
Open Style*	Finger-Safe Style	Run	Tap	Run	Tap		W	D	H		
BDBSCS1C1	BDBSCS1C1FS	1	4	#14 - 2/0	#14 - #4	1	1.34	2.76	5.56	175	100kA
BDBSCS1C2	BDBSCS1C2FS	1	4	#14 - 2/0	#14 - #4	2	2.41	2.76	5.56	175	100kA
BDBSCS1C3	BDBSCS1C3FS	1	4	#14 - 2/0	#14 - #4	3	3.48	2.76	5.56	175	100kA
BDBSCS1CA	-	1	4	#14 - 2/0	#14 - #4	Adder	1.16	2.76	5.56	175	100kA
BDBSCS1P1	BDBSCS1P1FS	1	1	#14 - 2/0	#14 - 2/0	1	1.34	2.76	5.56	175	100kA
BDBSCS1P2	BDBSCS1P2FS	1	1	#14 - 2/0	#14 - 2/0	2	2.41	2.76	5.56	175	100kA
BDBSCS1P3	BDBSCS1P3FS	1	1	#14 - 2/0	#14 - 2/0	3	3.48	2.76	5.56	175	100kA
BDBSCS1PA	-	1	1	#14 - 2/0	#14 - 2/0	Adder	1.16	2.76	5.56	175	100kA

\*Optional Hinged Covers available for Open Style 1, 2, and 3 pole configurations (order 1 cover per pole).

<sup>1</sup> with proper fusing

† Passed UL Current Cycling and SCCR testing - UL Listing is pending finalized Mechanical testing

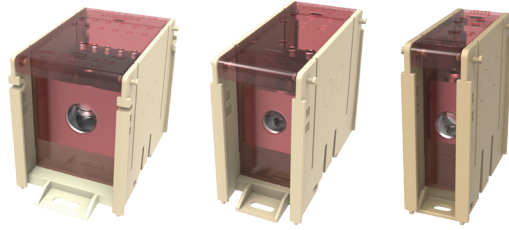
# Mechanical Connectors

VERSIPOLE™; Configurable Power Distribution Blocks for Copper and Aluminum



## VERSIPOLE™

(Continued)



**Finger-Safe Style**  
with covers & end plates

### Medium Series:

Catalog Number		# of Conductors		Wire Range		# of Poles	Dimensions			Amp Rating per Pole	SCCR <sup>1</sup>
Open Style*	Finger-Safe Style	Run	Tap	Run	Tap		W	D	H		
BDBMCS1F1	BDBMCS1F1FS	1	6	#14 - 2/0	#14 - #2	1	2.09	4.52	3.70	175	100kA
BDBMCS1F2	BDBMCS1F2FS	1	6	#14 - 2/0	#14 - #2	2	3.90	4.52	3.70	175	100kA
BDBMCS1F3	BDBMCS1F3FS	1	6	#14 - 2/0	#14 - #2	3	5.72	4.52	3.70	175	100kA
BDBMCS1FA	-	1	6	#14 - 2/0	#14 - #2	Adder	1.91	4.52	3.70	175	100kA
BDBMCS3U1	BDBMCS3U1FS	1	1	#6 - 350	#6 - 350	1	2.09	4.52	3.70	310	100kA
BDBMCS3U2	BDBMCS3U2FS	1	1	#6 - 350	#6 - 350	2	3.90	4.52	3.70	310	100kA
BDBMCS3U3	BDBMCS3U3FS	1	1	#6 - 350	#6 - 350	3	5.72	4.52	3.70	310	100kA
BDBMCS3UA	-	1	1	#6 - 350	#6 - 350	Adder	1.91	4.52	3.70	310	100kA
BDBMCS2F1	BDBMCS2F1FS	2	6	#14 - 2/0	#14 - #2	1	2.09	4.52	3.70	350	100kA
BDBMCS2F2	BDBMCS2F2FS	2	6	#14 - 2/0	#14 - #2	2	3.90	4.52	3.70	350	100kA
BDBMCS2F3	BDBMCS2F3FS	2	6	#14 - 2/0	#14 - #2	3	5.72	4.52	3.70	350	100kA
BDBMCS2FA	-	2	6	#14 - 2/0	#14 - #2	Adder	1.91	4.52	3.70	350	100kA
BDBMCS2N1	BDBMCS2N1FS	2	2	#14 - 2/0	#14 - 2/0	1	2.09	4.52	3.70	350	100kA
BDBMCS2N2	BDBMCS2N2FS	2	2	#14 - 2/0	#14 - 2/0	2	3.90	4.52	3.70	350	100kA
BDBMCS2N3	BDBMCS2N3FS	2	2	#14 - 2/0	#14 - 2/0	3	5.72	4.52	3.70	350	100kA
BDBMCS2NA	-	2	2	#14 - 2/0	#14 - 2/0	Adder	1.91	4.52	3.70	350	100kA
BDBMCS5F1 †	BDBMCS5F1FS †	1	6	#4 - 500	#14 - #2	1	2.09	4.52	3.70	380	100kA
BDBMCS5F2 †	BDBMCS5F2FS †	1	6	#4 - 500	#14 - #2	2	3.90	4.52	3.70	380	100kA
BDBMCS5F3 †	BDBMCS5F3FS †	1	6	#4 - 500	#14 - #2	3	5.72	4.52	3.70	380	100kA
BDBMCS5FA †	-	1	6	#4 - 500	#14 - #2	Adder	1.91	4.52	3.70	380	100kA
BDBMCS5M1 †	BDBMCS5M1FS †	1	4	#4 - 500	#14 - 2/0	1	2.09	4.52	3.70	380	100kA
BDBMCS5M2 †	BDBMCS5M2FS †	1	4	#4 - 500	#14 - 2/0	2	3.90	4.52	3.70	380	100kA
BDBMCS5M3 †	BDBMCS5M3FS †	1	4	#4 - 500	#14 - 2/0	3	5.72	4.52	3.70	380	100kA
BDBMCS5MA †	-	1	4	#4 - 500	#14 - 2/0	Adder	1.91	4.52	3.70	380	100kA

### Large Series:

Catalog Number		# of Conductors		Wire Range		# of Poles	Dimensions			Amp Rating per Pole	SCCR <sup>1</sup>
Open Style*	Finger-Safe Style	Run	Tap	Run	Tap		W	D	H		
BDBLCS3A1	BDBLCS3A1FS	1	12	#6 - 350	#14 - #4	1	3.25	5.54	4.12	310	100kA
BDBLCS3A2	BDBLCS3A2FS	1	12	#6 - 350	#14 - #4	2	6.17	5.54	4.12	310	100kA
BDBLCS3A3	BDBLCS3A3FS	1	12	#6 - 350	#14 - #4	3	9.09	5.54	4.12	310	100kA
BDBLCS3AA	-	1	12	#6 - 350	#14 - #4	Adder	3.05	5.54	4.12	310	100kA
BDBLCS3K1	BDBLCS3K1FS	1	6	#6 - 350	#14 - 2/0	1	3.25	5.54	4.12	310	100kA
BDBLCS3K2	BDBLCS3K2FS	1	6	#6 - 350	#14 - 2/0	2	6.17	5.54	4.12	310	100kA
BDBLCS3K3	BDBLCS3K3FS	1	6	#6 - 350	#14 - 2/0	3	9.09	5.54	4.12	310	100kA
BDBLCS3KA	-	1	6	#6 - 350	#14 - 2/0	Adder	3.05	5.54	4.12	310	100kA

\*Optional Hinged Covers available for Open Style 1, 2, and 3 pole configurations (order 1 cover per pole).

<sup>1</sup> with proper fusing

† Passed UL Current Cycling and SCCR testing - UL Listing is pending finalized Mechanical testing

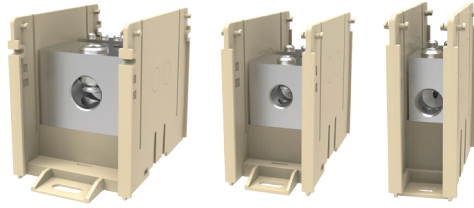
# Mechanical Connectors

VERSIPOLE™; Configurable Power Distribution Blocks for Copper and Aluminum



## VERSIPOLE™

(Continued)



Open Style

### Large Series:

Catalog Number		# of Conductors		Wire Range		# of Poles	Dimensions			Amp Rating per Pole	SCCR <sup>1</sup>
Open Style*	Finger-Safe Style	Run	Tap	Run	Tap		W	D	H		
BDBLCS5K1 †	BDBLCS5K1FS †	1	6	#4 - 500	#14 - 2/0	1	3.25	5.54	4.12	380	100kA
BDBLCS5K2 †	BDBLCS5K2FS †	1	6	#4 - 500	#14 - 2/0	2	6.17	5.54	4.12	380	100kA
BDBLCS5K3 †	BDBLCS5K3FS †	1	6	#4 - 500	#14 - 2/0	3	9.09	5.54	4.12	380	100kA
BDBLCS5KA †	-	1	6	#4 - 500	#14 - 2/0	Adder	3.05	5.54	4.12	380	100kA
BDBLCS5W1 †	BDBLCS5W1FS †	1	1	#4 - 500	#4 - 500	1	3.25	5.54	4.12	380	100kA
BDBLCS5W2 †	BDBLCS5W2FS †	1	1	#4 - 500	#4 - 500	2	6.17	5.54	4.12	380	100kA
BDBLCS5W3 †	BDBLCS5W3FS †	1	1	#4 - 500	#4 - 500	3	9.09	5.54	4.12	380	100kA
BDBLCS5WA †	-	1	1	#4 - 500	#4 - 500	Adder	3.05	5.54	4.12	380	100kA
BDBLCS4K1	BDBLCS4K1FS	2	6	#6 - 350	#14 - 2/0	1	3.25	5.54	4.12	620	100kA
BDBLCS4K2	BDBLCS4K2FS	2	6	#6 - 350	#14 - 2/0	2	6.17	5.54	4.12	620	100kA
BDBLCS4K3	BDBLCS4K3FS	2	6	#6 - 350	#14 - 2/0	3	9.09	5.54	4.12	620	100kA
BDBLCS4KA	-	2	6	#6 - 350	#14 - 2/0	Adder	3.05	5.54	4.12	620	100kA
BDBLCS4T1	BDBLCS4T1FS	2	2	#6 - 350	#6 - 350	1	3.25	5.54	4.12	620	100kA
BDBLCS4T2	BDBLCS4T2FS	2	2	#6 - 350	#6 - 350	2	6.17	5.54	4.12	620	100kA
BDBLCS4T3	BDBLCS4T3FS	2	2	#6 - 350	#6 - 350	3	9.09	5.54	4.12	620	100kA
BDBLCS4TA	-	2	2	#6 - 350	#6 - 350	Adder	3.05	5.54	4.12	620	100kA
BDBLCS6A1 †	BDBLCS6A1FS †	2	12	#4 - 500	#14 - #4	1	3.25	5.54	4.12	760	100kA
BDBLCS6A2 †	BDBLCS6A2FS †	2	12	#4 - 500	#14 - #4	2	6.17	5.54	4.12	760	100kA
BDBLCS6A3 †	BDBLCS6A3FS †	2	12	#4 - 500	#14 - #4	3	9.09	5.54	4.12	760	100kA
BDBLCS6AA †	-	2	12	#4 - 500	#14 - #4	Adder	3.05	5.54	4.12	760	100kA
BDBLCS6K1 †	BDBLCS6K1FS †	2	6	#4 - 500	#14 - 2/0	1	3.25	5.54	4.12	760	100kA
BDBLCS6K2 †	BDBLCS6K2FS †	2	6	#4 - 500	#14 - 2/0	2	6.17	5.54	4.12	760	100kA
BDBLCS6K3 †	BDBLCS6K3FS †	2	6	#4 - 500	#14 - 2/0	3	9.09	5.54	4.12	760	100kA
BDBLCS6KA †	-	2	6	#4 - 500	#14 - 2/0	Adder	3.05	5.54	4.12	760	100kA
BDBLCS6R1 †	BDBLCS6R1FS †	2	4	#4 - 500	#6 - 4/0	1	3.25	5.54	4.12	760	100kA
BDBLCS6R2 †	BDBLCS6R2FS †	2	4	#4 - 500	#6 - 4/0	2	6.17	5.54	4.12	760	100kA
BDBLCS6R3 †	BDBLCS6R3FS †	2	4	#4 - 500	#6 - 4/0	3	9.09	5.54	4.12	760	100kA
BDBLCS6RA †	-	2	4	#4 - 500	#6 - 4/0	Adder	3.05	5.54	4.12	760	100kA
BDBLCS6V1 †	BDBLCS6V1FS †	2	2	#4 - 500	#4 - 500	1	3.25	5.54	4.12	760	100kA
BDBLCS6V2 †	BDBLCS6V2FS †	2	2	#4 - 500	#4 - 500	2	6.17	5.54	4.12	760	100kA
BDBLCS6V3 †	BDBLCS6V3FS †	2	2	#4 - 500	#4 - 500	3	9.09	5.54	4.12	760	100kA
BDBLCS6VA †	-	2	2	#4 - 500	#4 - 500	Adder	3.05	5.54	4.12	760	100kA

\*Optional Hinged Covers available for Open Style 1, 2, and 3 pole configurations (order 1 cover per pole).

<sup>1</sup> with proper fusing

† Passed UL Current Cycling and SCCR testing - UL Listing is pending finalized Mechanical testing

### Optional Hinged Covers:

Catalog Number	Size
BDBSCCOVER	Small
BDBMCOVER	Medium
BDBLCOVER	Large