



Type U Condulet® Fittings

Applications:

The Type U Condulet® is a legacy Crouse-Hinds fitting which has been redesigned to address current needs in industrial applications. Its unique design features deliver enhanced pulling speed, greater internal capacity over a standard Condulet, and a 4-to-1 SKU reduction, simplifying inventory for distribution and contractors at the job site.

Certifications and Compliances:

- UL Standard: 514A and 514B
- CSA Standard: C22.2 No. 18
- Dusttight certified to UL50E
- NEMA 3, 4

Design Features and Benefits:

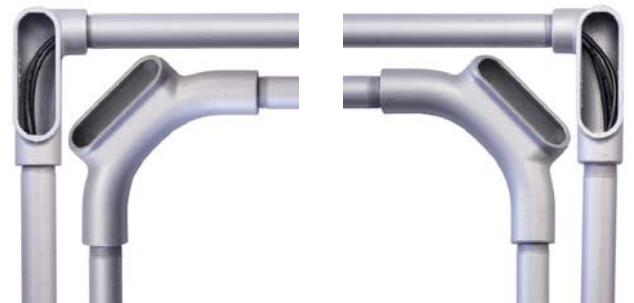
- A smooth pulling surface, mimicking the sweeping bend of a factory 90 elbow, easing the burden of hand and mechanical wire pulling to deliver faster wire pulling
- An angled cover opening to address system access for splicing and future maintenance in corners and access points where installation of a LL, LR, LB or factory 90 with a C fitting is not considered ideal
- Greater internal capacity than a standard Condulet, providing a 40% wire fill rating and listing of the product as an enclosure



Type U Condulet® Fittings from Eaton's Crouse-Hinds Business provide a universal solution for industrial applications.

Catalog Numbering Example:

U	2	7	SA
Shape			Standard Material
U			BLANK Iron
			SA Aluminum
Trade Size			Form
1 1/2"	4	1-1/4"	7 Form 7 Condulet
2 3/4"	5	1-1/2"	
3 1"	6	2"	



LL with Type U Fitting

LR with Type U Fitting

Dimensions:

Iron	Aluminum	Trade Size	A	B	C	D	E	F
U17	U17 SA	1/2"	7-1/8"	1-1/2"	3-11/16"	15/16"	3-3/16"	4-7/16"
U27	U27 SA	3/4"	7-1/2"	1-11/16"	3-7/8"	1-1/8"	3-13/16"	4-5/8"
U37	U37 SA	1"	9-11/16"	2"	4-13/16"	1-3/8"	4-1/2"	6"
U47	U47 SA	1-1/4"	12"	2-1/2"	5-15/16"	1-3/4"	5"	7-7/16"
U57	U57 SA	1-1/2"	15-1/8"	2-7/8"	7-3/16"	1-15/16"	5-7/16"	9-5/8"
U67	U67 SA	2"	17-5/16"	3-5/8"	8-5/8"	2-7/16"	6-3/8"	10-7/8"

