

A photograph of a modern office interior. The ceiling is a grid of square acoustic tiles with several rectangular LED light panels recessed into it. Below the ceiling, there are cubicles with blue and white partitions. In the foreground, a long, dark-colored conference table is surrounded by black office chairs. A large potted plant is visible on the left side of the cubicles. The overall lighting is bright and even, highlighting the office environment.

Cut energy costs in half.  
An affordable, ultra-low-profile LED panel.



**RAB**<sup>®</sup>  
LIGHTING  
RABWEB.COM • 888-722-1000

# Edge-Lit LED Panels



- Ultra efficient, up to 130 lm/W, reducing energy costs by up to 51%
- Perfect for shallow plenums
- Even and diffuse ambient illumination, ideal for spaces where glare-free lighting is required
- Offered in two sizes and three wattages: 2x2 (30W and 40W) and 2x4 (40W and 50W)
- 0-10V dimmable driver, standard
- Emergency battery backup option available
- Available with factory-installed Lightcloud™ lighting control system Controller



It's OK to be shallow.

With a height just under 2", the EZPAN is an ideal solution for shallow plenums.



No # \$ % ! \* @ glare.

Diffused, white opalescent lens delivers even, glare-free light that's ideal for healthcare facilities, educational facilities and computer workspaces.



Secure installation...to a T.

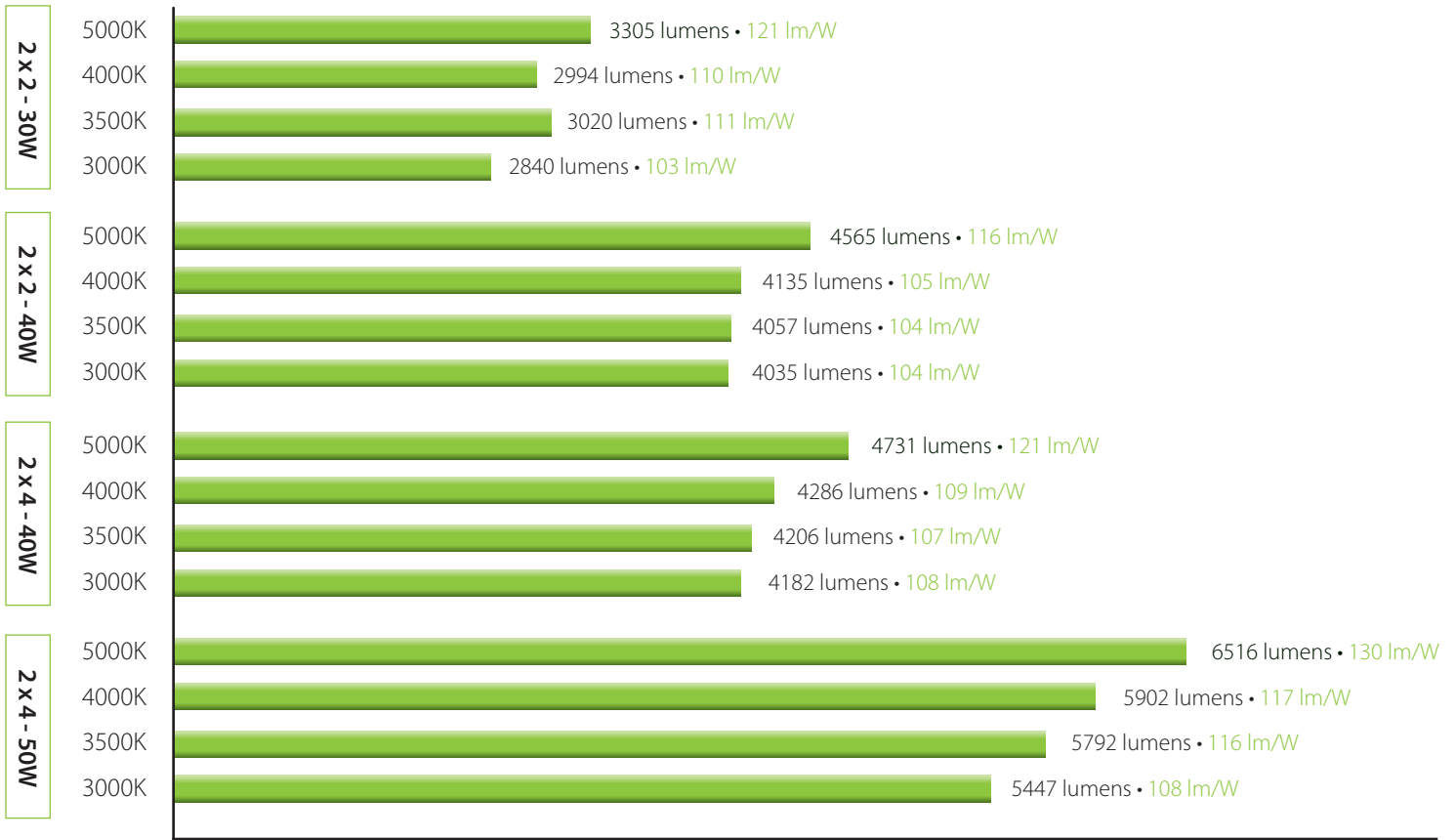
Integral T-bar clips secure the EZPAN to standard T-bar systems.

Send for backup.

All EZPAN models are available with an optional, emergency battery backup to provide emergency lighting when power is lost.

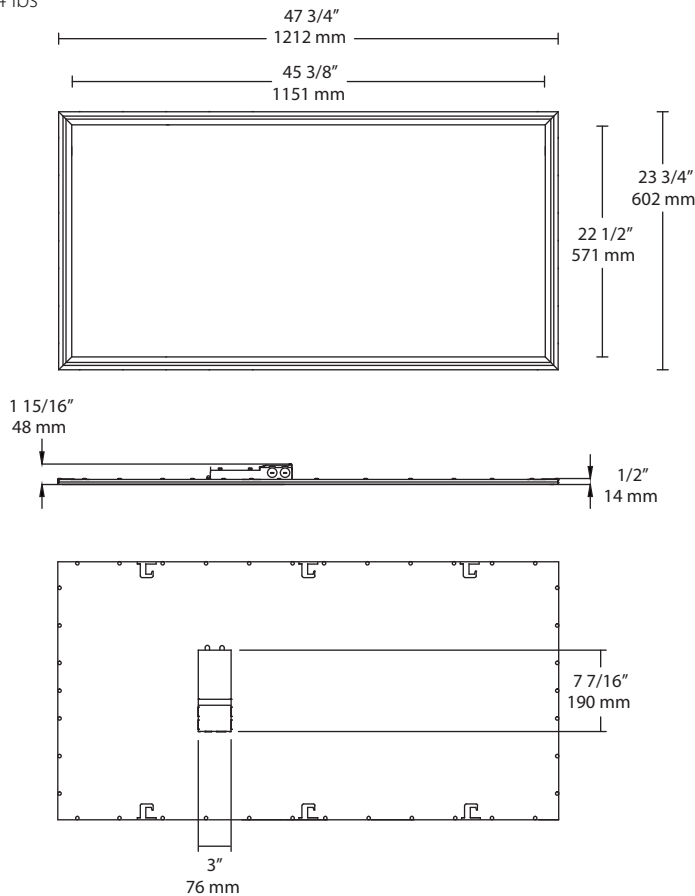


## Lumen output and efficiency

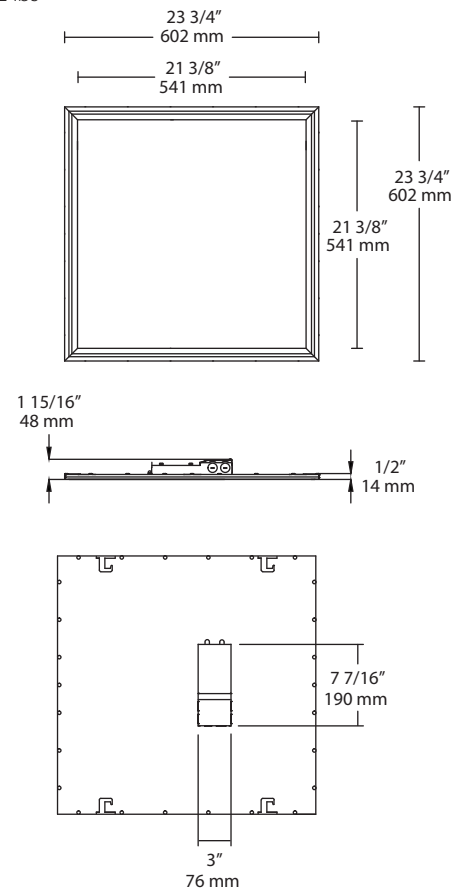


## Dimensions and weight

Weight: 26.4 lbs



Weight: 13.2 lbs



## Specifications

**UL Listing:** Suitable for damp locations

**IC Rating:** Suitable for insulated ceilings

**LEDs:** Long-life, high-efficiency surface mount LEDs

**Driver:**

**30W (2x2):** 50/60 Hz., 120V: 0.23A; 208V: 0.16A; 240V: 0.14 A; 277V: 0.11A, PF >90%, THD <15%

**40W (2x2 and 2x4):** 50/60 Hz., 120V: 0.33A; 208V: 0.21A; 240V: 0.19A; 277V: 0.16A, PF >90%, THD <15%

**50W (2x4):** 50/60 Hz., 120V: 0.43A; 208V: 0.24A; 240V: 0.22A; 277V: 0.20A, PF >90%, THD <15%

**Dimming:** 0-10V dimmable driver, standard

**Ambient Temperature:** Suitable for use in 40°C (104°F) ambient temperatures

**Housing:** Lightweight aluminum housing, steel pan and junction box

**Lens:** Frosted polystyrene

**Installation:** Standard integral T-bar clips secure the fixture to T-bars and prevent T-system separation.

**Finish:** Our environmentally friendly polyester powder coatings are formulated for high-durability and long-lasting color, and contain no VOC or toxic heavy metals.

**Green Technology:** Mercury and UV free, and RoHS compliant.

## Ordering information

Product Family

EZPAN

Size

2X2 2' x 2'  
2X4 2' x 4'

Wattage

30 30W (2' x 2')  
40 40W (2' x 2' or 2' x 4')  
50 50W (2' x 4')

Color Temperature

Blank 5000K  
N 4000K  
YN 3500K  
Y 3000K

Dimming (standard)

/D10  
/D10 0-10V Dimming

Options

/LC Lightcloud Controller  
/E2 Emergency Battery Backup

# EZPAN is available with Lightcloud.

Lightcloud™ is a professional-grade wireless lighting control system, fully developed and supported by RAB.

- Save up to 68% on energy costs from lighting
- Use your mobile device, tablet or computer for switching and dimming of individual fixtures or entire areas
- Programmable schedules let you illuminate a zone only when needed, automatically adjusting for sunrise and sunset times
- Complimentary rebate assistance and lighting design services



Contact RAB at 888 722-1000 for a quote or visit [rabweb.com](http://rabweb.com).

**RAB**®