

*Shown with optional
Fireball Strobe Light
(FB2PST)*



► Model I-IP100AC and I-IP100DC

Informer100 Speaker

Federal Signal's Informer product line now includes an IP-enabled high-powered outdoor speaker. The Informer100 Speaker can be used as a notification device using tones and/or voice. Pair this model with a Federal Signal Commander system for additional capabilities; for instance, it can be equipped with up to four local alarm initiation devices to activate the unit locally and to activate the Commander controller for mass notification communications.

The Informer100 Speaker has an internal 100 watt amplifier and driver to deliver intelligible voice messages from pre-recorded files or from the Federal Signal Commander VOIP network system. Ambient Level Monitor enables speaker to automatically adjust speaker volume in relationship to ambient noise level. It also has remote volume control for optimizing sound levels across your alerting area.

Notifications and alerts can be live voice, text-to-speech, pre-recorded messages and/or tone files. When used with optional notification software, alert messages initiated from the Informer100 Speaker can be sent to emergency personnel via email, SMS, handheld radios; and can also be used to activate other Informer units and sirens.

Informer100 Speaker includes two relay outputs for controlling strobes or other devices. It's designed for outdoor use or large indoor structures; and available in 24VDC or 120/240VAC. All wiring interfaces accessible via internal connectors for quick and easy installation.

The Informer100 Speaker is an ideal solution for existing notification systems where lack of coverage exists and the unit can be used as a call station where emergency alert buttons are required.

F E A T U R E S

- Indoor/Outdoor IP enabled speaker with high powered voice and tone
- Available in 24VDC or 120/240VAC
- Ambient SPL monitor with automatic volume control
- Remote volume control
- Broadcasts live voice, text-to-speech and prerecorded voice or tone files
- Integral 100 watt amplifier and ethernet interface simplifies installation
- Optional scrolling message display
- Remote firmware updates over Ethernet
- 15 minute audio storage, with up to 250 .WAV files
- Fully supervised using Commander software
- Wall or pole mount available
- Four initiation inputs, i.e. Panic button alarm
- Optional visual LED or strobe alerting devices available
- NEMA 4X outdoor rated
- UL and cUL Listed (currently pending)
- UL Marine Rated (currently pending)

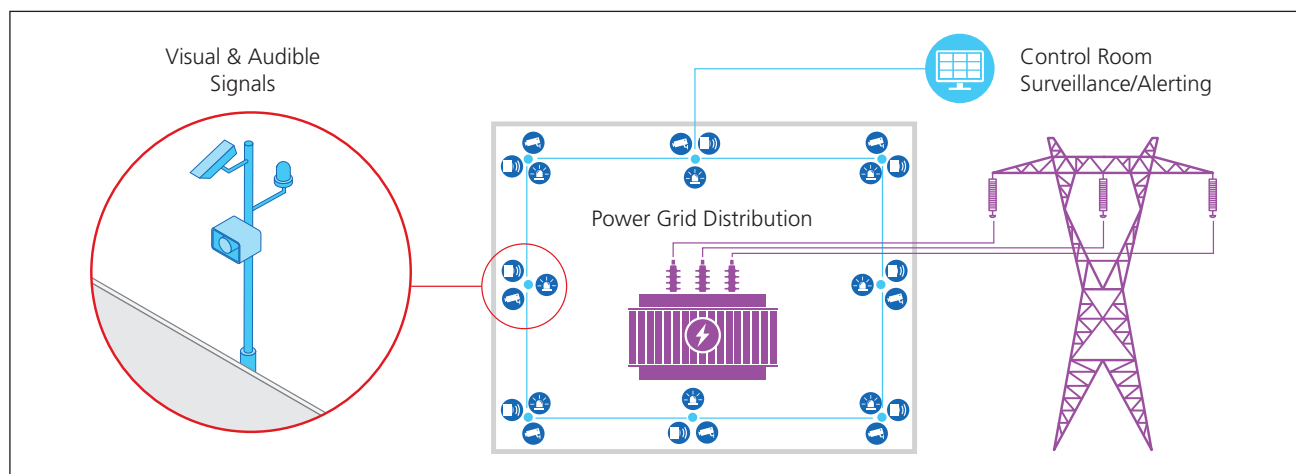


**ROYAL ELECTRIC SUPPLY
COMPANY**
Solutions Through Relationships—Since 1919

3233 W Hunting Park Avenue, Philadelphia PA 19132-1845
 (800) 79-ROYAL (215) 221-1200 fax (215) 221-1201
 advisors@royalelectric.com www.royalelectric.com

WE GET IT
 24/7 Emergency Material Access

Informer100 Speaker (I-IP100)



SPECIFICATIONS

- Two Relay Outputs rated at 8A @ 240VAC. Relay outputs can be programmed to cycle on and off, or come on continuously with the on time, off time, and total-time being programmable. They can also be programmed to control strobe lights or other devices
- Tone and voice compatible with Federal Signal Commander and UltraVoice controllers (Requires Commander version 14.8.x or higher)
- Small size with rugged construction
- Input: 24VDC, 5A maximum 120/240VAC, 50/60Hz, 1.5A/1.78A maximum
- Maximum Sound Pressure Level 120 dB (± 2 dB) @ 10' (130 dB (± 2 dB) @ 1 m)
- Wired Ethernet
- Adjustable volume control and ambient noise monitoring with auto-level adjustment
- Wall or pole mount options
- Up to four direct wire input for customer supplied panic button alarm
- Requires minimal network bandwidth and uses TCP/IP protocol
- Works with redundant Commander network servers for reliable fail-safe operation
- Federal Signal Commander software provides full two-way control and status monitoring of the Informer100

HOW TO ORDER

Description	Part Number
24VDC 100 watt wall mount	I-IP100DC
120/240VAC 100 watt wall mount	I-IP100AC
Small (6" or less) Pole Mount Bracket	I-IP100-PM
Large (over 6") Pole Mount Bracket	I-IP100-PMW
Omni Directional Option for IP Speaker	I-IP100-OMNI
Informer100 Speaker requires Federal Signal Commander application software (sold separately)	
Informer100 Speaker can be field configured or factory pre-configured to customer requirements. Contact your local representative for a quotation.	

OPTIONAL ACCESSORIES

Description	Part Number
Indoor Yellow Station – Push & Turn Reset Button "EVACUATION"	PSEV-Y
Indoor Yellow Station – Push & Turn Reset Button "EVACUATION"; with Sounder Cover	PSEVSC-Y
Indoor Red Station – Push & Turn Reset button "EMERGENCY"	PSEM-R
Indoor Red Station – Push & Turn Reset button "EMERGENCY"; with Sounder Cover	PSEMSC-R
Outdoor 4-button push station	PBS-4
120VAC Strobe ¹	FB2PST-120*
240VAC Strobe ¹	FB2PST-240*
Modular Multifunctional LED Beacon	SLM200*²
Low Profile LED Status Indicator, Opaque Lens	SLM400²
Low Profile LED Status Indicator, Fresnel Lens	SLM450²
24VDC ½" NPT Pipe Mount Base, Gray ¹	SLMBP-012-024GY
120/240VAC ½" NPT Pipe Mount Base, Gray ¹	SLMBP-120-240GY

*Indicates color: (A) Amber, (B) Blue, (C) Clear, (G) Green, and (R) Red

¹ Powered from same source as speaker

² Must be ordered with a specified required mounting base

SERVICE PARTS

Description	Part Number
IP Controller Service Part	Q-20000314
AC Speaker Service Part	Q-IP100AC
DC Speaker Service Part	Q-IP100DC