

INTRODUCING THE **MELNI** BD-2HL 2-HOLE LUG A SMARTER CRIMPLESS CONNECTOR

MAKE JOBS FASTER, EASIER & SAFER!

A breakthrough innovation.

- The Melni BD-2HL replaces traditional, crimp-style 2 hole lugs with a simple, smart alternative to bulky crimpers and expensive tools.
- The patented spiral-insert technology collapses around the conductor as the nut is tightened – no crimping needed!
- The Melni BD-2HL will forever change how you install, splice or change-out cords & cable.

Ease of use and efficiency.

- Leave the expensive tools at home – tighten as required to make a reliable electrical connection.
- One Melni BD-2HL fits a wide range of conductors (2/0 AWG - #2 AWG) reducing install equipment and labor time.
- The BD-2HL packs a punch – it exceeds the UL secureness standard by over 150 pounds!

REPLACE ALL YOUR 2-HOLE LUGS WITH A SINGLE BD-2HL FOR USE IN MULTIPLE APPLICATIONS WITH A LARGE RANGE OF CABLE SIZES.

UL RATED

Excessive force and strain on muscles and joints doesn't have to be part of the job description anymore. The BD-2HL exceeds the UL secureness standards by over 150 pounds for both aluminum and copper cable.

INSTALL IN SECONDS

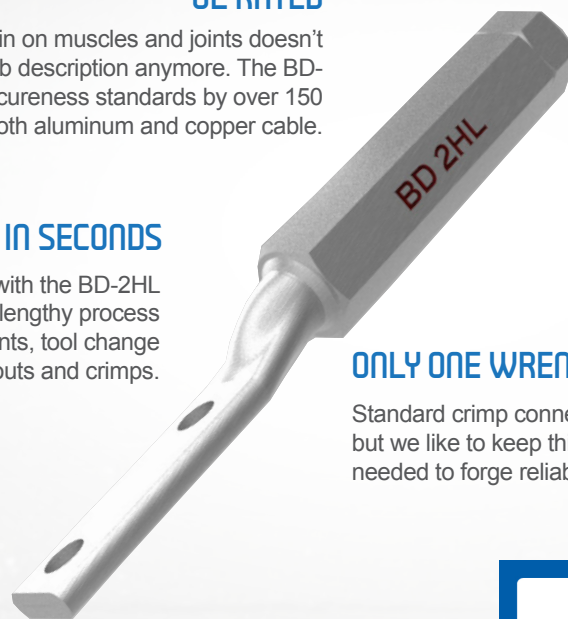
Drastically cut time and labor with the BD-2HL and reduce the traditionally lengthy process requiring multiple measurements, tool change outs and crimps.

WIDER RANGE TAKING

While traditional 2 hole lugs are non-range taking, the Melni BD-2HL accepts cables/wires between 2/0 AWG and #2 AWG. Take the guesswork out and reduce installation time.

ONLY ONE WRENCH NEEDED

Standard crimp connectors require bulky, specialized crimpers, but we like to keep things simple – one wrench is all that's needed to forge reliable electrical connections.



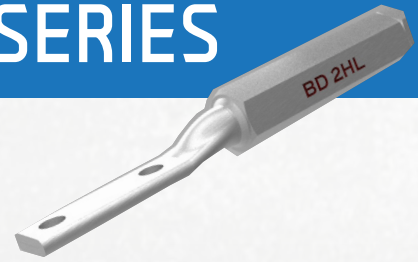
Solutions Through Relationships—Since 1919

3233 W Hunting Park Avenue, Philadelphia PA 19132-1845
(800) 79-ROYAL (215) 221-1200 fax (215) 221-1201
advisors@royalelectric.com www.royalelectric.com

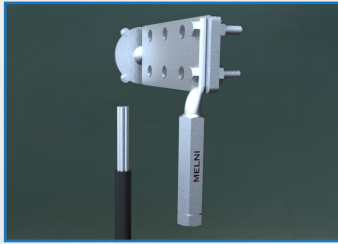
WE GET IT

24/7 Emergency Material Access

BD-2HL SERIES



BD-2HL INSTALLATION



1. Acquire all components, attach BD-2HL to paddle.

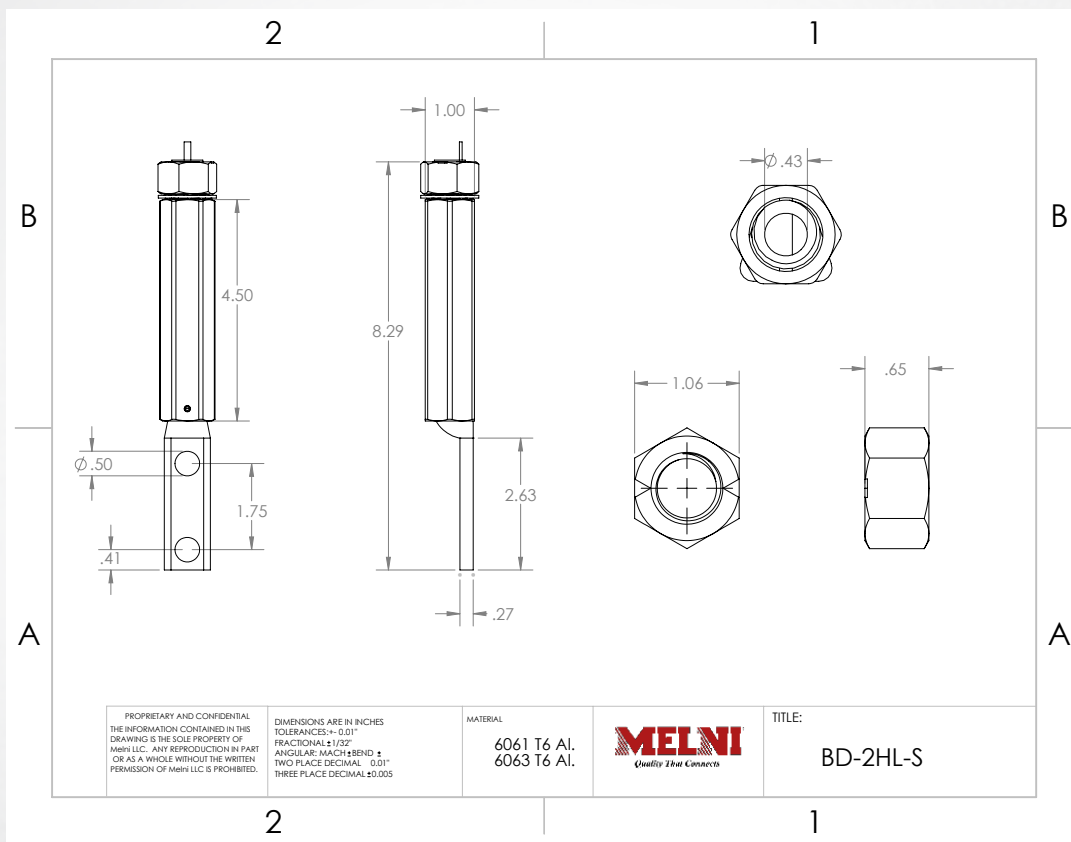


2. Insert conductor into the BD-2HL.



3. Tighten nut to value on label.

TECHNICAL DATA



PATENTS

- USPat #7794255-B2 issued 09-14-2010
- USPat #8246370-B2 issued 08-21-2011
- USPat #7901233-B2 issued 03-08-2011
- USPat #8771000-B2 issued 07-08-2014
- USPat #8066525-B2 issued 11-29-2011
- Can Pat No.2,779,248 issued 11-03-2014

