

1/2" to 2"  
Made in the USA  
Solid Steel or Aluminum

# AMFITCO

## The Next Generation of Greenfield Connectors

# SPEC-flex connectors™

Our *flex* System is Your Solution for Electrical Runs



Straight Connectors for Enclosures or  
Use Our Adapters to Transition Your Conduit & Cable

**TURN IT ON** with  
SPEC-flex connectors



Full *flex* Connector System  
Straight Connectors, 45° & 90°  
FMC to Liquid Tight, Flexible Cord,  
EMT & Rigid Conduit

Saves Labor on Every Connection  
No Screw or Crimp Required to Install  
Simply, Turn It On Your FMC  
**Exceeds UL Pullout Requirements by 300%**  
No Screws to Pinch or Pierce Conduit  
Maintains Full Integrity of the Conduit  
Count On a Safe Burr-less Wire Pull  
Fully-Machined Solid Steel or Aluminum  
Furnished with Industrial Grade Steel Locknut



3233 W Hunting Park Avenue, Philadelphia PA 19132-1845  
(800) 79-ROYAL (215) 221-1200 fax (215) 221-1201  
advisors@royalelectric.com www.royalelectric.com

**WE GET IT**  
24/7 Emergency Material Access

**Made in the USA**

© 2015 AMERICAN FITTINGS



## SPECflex™ Connector System

Easily Transition Greenfield into Your Electrical Runs  
When You Turn On with **SPECflex**



Straight Connector  
FMC to Enclosure

### Avoid the Issues with Inferior Die Cast Fittings

Patent Pending, Uniquely Engineered for Industrial Projects and OEM Product Performance and Reliability

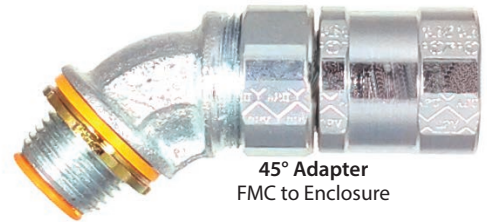
Superior Performance for Secure Connectors and Fast Disconnect  
GripsTight, Grips Right on Every Connection  
Fittings are FULLY Reuseable, No Need to Crimp or Pinch  
90° and 45° Adapters Used to Connect FMC to a Box or Enclosure



Sizes Available 1/2" - 2" Trade Sizes, in Steel or Aluminum  
Solid Steel Fully Machined FMC SPEC-flex Connectors  
Made in the USA



90° Adapter  
FMC to Enclosure



45° Adapter  
FMC to Enclosure

Furnished with Industrial Grade Locknut, Sealing Washer and Insulated Throat

## SPECflex™ ADAPTERS

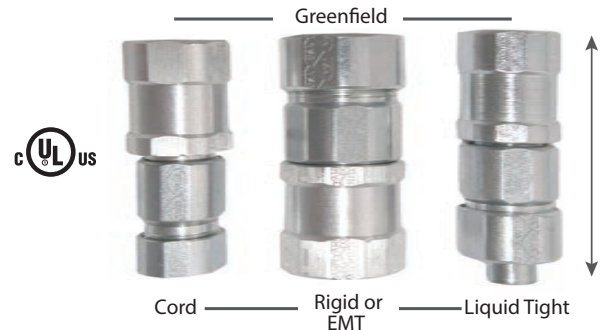
*The Most Secure Connection in the Market.*

### Our flex-System is Your Solution

SPEC-flex Adapters Convert Greenfield - FMC to Pipe, LT or Cord  
Industrial Products for Demanding Conditions

Adapters Used to Easily  
Transition FMC to EMT, Rigid Conduit, Portable Cord, or Liquid Tight Cable  
and Conform to UL specifications, Made in the USA

Sizes Available 1/2" - 2" Trade Sizes



### Products Guaranteed for Life

**Note:**  
SPECflex connectors are designed to work and interface with UL listed, Made in USA FMC / Greenfield conduit. We cannot guarantee fit, form, or function with non-UL off-shore conduit. Request a sample from factory to ensure compatibility.



Greenfield to Conduit

Available Set Screw & Compression EMT or Rigid Conduit



Greenfield to LT or  
Portable Cord



**Solid Steel Fully Machined SPECflex Connector™**  
**Industrial Grade Greenfield to Enclosure Connector**  
**Made in the USA**  
**Solid Steel Zinc Plated or Aluminum**

Patent Pending  
Uniquely Engineered for Industrial Projects and OEM Product Performance  
Secure Connection and Fast Disconnect  
No Tools Required to Install on FMC  
**Exceeds UL Pull-Out Requirements by 300%**

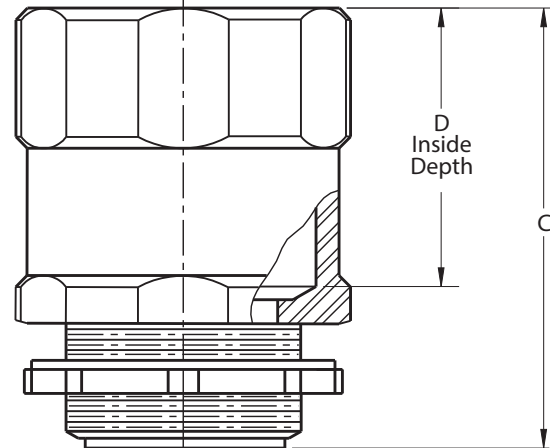
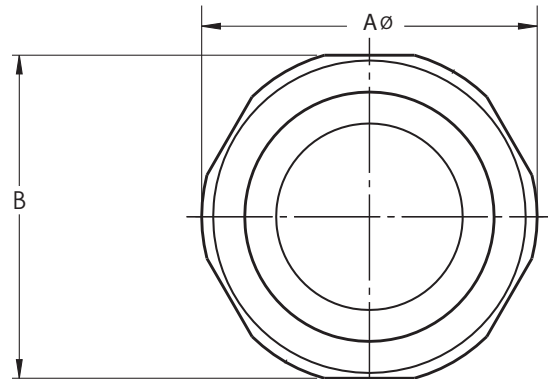
**FULL Connector System Available for Transitions from Greenfield to EMT, Rigid, LT, & Flexible Cord 90° and 45° Connectors Available**



Unique industrial grade locknut bites into any box or enclosure for full bonding and an Insulated UL Listed Throat Bushing are standard.

## SPECflex™

**Installs On Greenfield with a Few Easy Turns**  
**No Tools Required**



Furnished with N.P.S Threads

Saves Labor on Every Connection  
No Screws to Pinch or Pierce Conduit  
**Steel Construction\* NOT a Thin Wall Die Cast Fitting**  
Maintains Full Integrity of Conduit ID & OD  
Allows More Room Inside Conduit For Wire  
You Can Count-On a Safe Burr-less Wire Pull

**Note:**  
SPECflex connectors are designed to work and interface with UL listed, Made in USA FMC / Greenfield conduit. We cannot guarantee fit, form, or function with non-UL off-shore conduit.  
Request a sample from factory to ensure compatibility.

FLX-AM072.B

\* Steel is Zinc Plated for Full Corrosion Resistance

### SPECflex Connectors

Cat #	Trade Size	Mat'l	A Ø	B hex	C	D
FLX50B	1/2"	Steel *	1-5/32"	1-1/8"	1-9/16"	1-1/16"
FLX50BAL	1/2"	Aluminum	1-5/32"	1-1/8"	1-9/16"	1-1/16"
FLX75B	3/4"	Steel *	1-7/16"	1-3/8"	1-9/16"	1-1/16"
FLX75BAL	3/4"	Aluminum	1-7/16"	1-3/8"	1-9/16"	1-1/16"
FLX100B	1"	Steel *	1-11/16"	1-5/8"	1-5/8"	1-1/16"
FLX100BAL	1"	Aluminum	1-11/16"	1-5/8"	1-5/8"	1-1/16"
FLX125B	1-1/4"	Steel *	2-1/32"	1-31/32"	1-5/8"	1-1/16"
FLX125BAL	1-1/4"	Aluminum	2-1/8"	2"	1-5/8"	1-1/16"
FLX150B	1-1/2"	Steel *	2-9/32"	2-3/16"	1-29/32"	1-1/4"
FLX150BAL	1-1/2"	Aluminum	2-9/32"	2-3/16"	1-29/32"	1-1/4"
FLX200B	2"	Steel *	2-29/32"	2-29/32"	2"	1-9/32"
FLX200BAL	2"	Aluminum	2-29/32"	2-29/32"	2"	1-9/32"

Consult with factory for fittings without insulated throat or sizes not shown.



## SPECflex™ Connector System

### FLEX Series Industrial Flexible Metal Conduit Connectors

Solid Steel Fully Machined FMC SPEC-flex Connectors  
Made in the USA

90° Adapter Used to Connect FMC to a Box or Enclosure

Patent Pending Uniquely Engineered for Industrial Projects and OEM Product Performance

Superior Performance for Secure Connectors and Fast Disconnect  
GripsTight, Grips Right on Every Connection

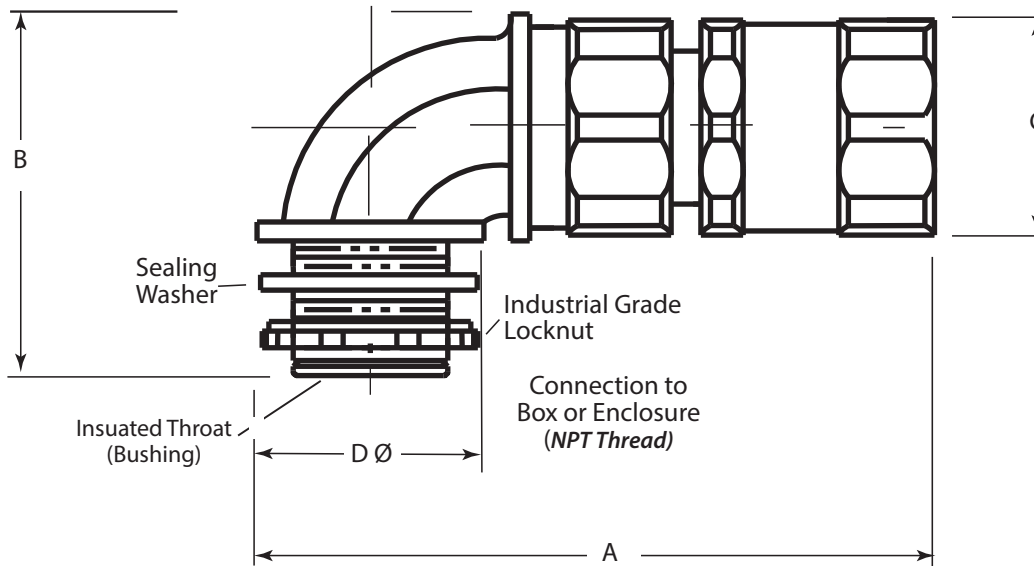
Furnished with Our Industrial Grade Locknut and Sealing Washer with an Optional UL Component Temperature Rated 150°C Insulated Throat



90° Adapter  
FMC to Enclosure  
Made in the USA

**Save Time on Every Connection!**

**Note:**  
SPECflex connectors are designed to work and interface with UL listed, Made in USA FMC / Greenfield conduit.  
We cannot guarantee fit, form, or function with non-UL off-shore conduit.  
Request a sample from factory to ensure capability.



SPECflex Industrial Grade FMC Connectors 90° Adapters

Cat #	Trade Size	A	B	C hex	E
FLX5090B	1/2"	3-3/8"	1-15/16"	1-1/8"	1-3/16"
FLX7590B	3/4"	3-19/32"	2-5/32"	1-3/8"	1-11/32"
FLX10090B	1"	4"	2-11/16"	1-5/8"	1-11/16"
FLX12590B	1 1/4"	4-5/16"	2-15/16"	1-31/32"	2"
FLX15090B	1 1/2"	5-1/16"	3-3/16"	2-3/16"	2-1/4"
FLX20090B	2"	5-21/32"	3-23/32"	2-25/32"	2-3/4"

Consult with factory for fittings without insulated throat.

FLX-Adapt AM1197.B

# AMERICAN FITTINGS Corporation



Industrial SPEC-flex™  
FMC to Enclosure  
45° Conduit Adapters  
1/2" to 2"

## SPECflex™ Connector System

### FLEX Series Industrial Flexible Metal Conduit Connectors

Solid Steel Fully Machined FMC SPEC-flex Connectors  
Made in the USA

45° Adapter Used to Connect FMC to a Box or Enclosure

Patent Pending Uniquely Engineered for Industrial Projects and  
OEM Product Performance

Superior Performance for Secure Connectors and Fast Disconnect  
GripsTight, Grips Right on Every Connection

Furnished with Our Industrial Grade Locknut and Sealing Washer with an  
Optional UL Component Temperature Rated 150°C Insulated Throat

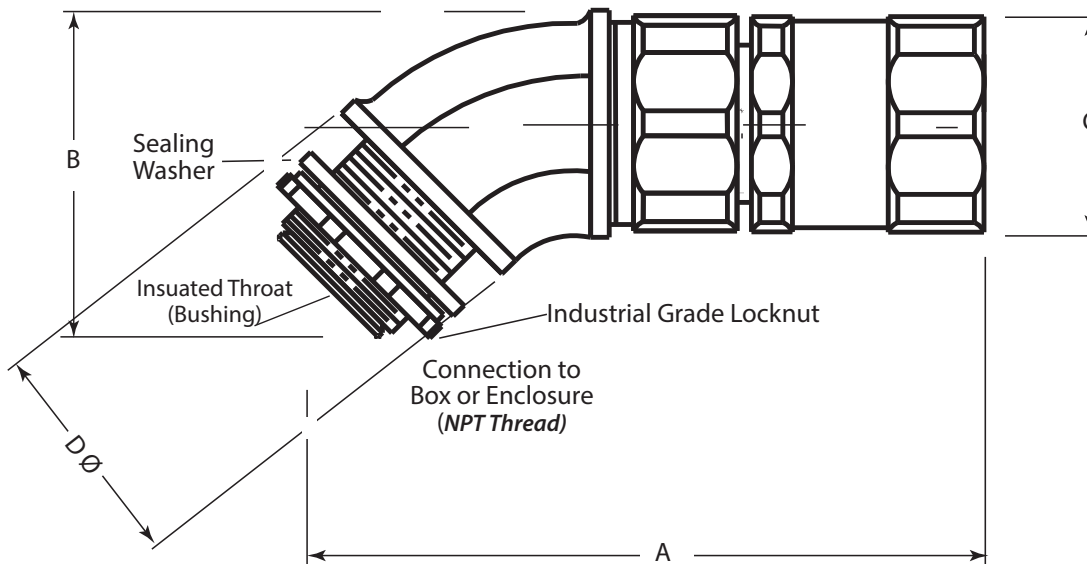


45° Adapter  
FMC to Enclosure  
Made in the USA



### Save Time on Every Connection!

**Note:**  
SPECflex connectors are designed to work and  
interface with UL listed, Made in USA FMC / Greenfield conduit.  
We cannot guarantee fit, form, or function with non-UL off-shore conduit.  
Request a sample from factory to ensure capability.



SPECflex Industrial Grade FMC Connectors 45° Adapters

Cat #	Trade Size	A	B	C hex	E
FLX5045B	1/2"	3-21/32"	1-21/32"	1-1/8"	1-3/16"
FLX7545B	3/4"	3-25/32"	1-15/16"	1-3/8"	1-11/32"
FLX10045B	1"	4"	2-5/32"	1-5/8"	1-11/16"
FLX12545B	1 1/4"	4-1/4"	2-15/32"	1-31/32"	2"
FLX15045B	1 1/2"	5"	2-25/32"	2-3/16"	2-1/4"
FLX20045B	2"	5-1/2"	3-5/16"	2-25/32"	2-3/4"

Consult with factory for fittings without insulated throat.

FLX-Adapt AM1198.B

# AMERICAN FITTINGS Corporation

Made in the USA Since 1946



Industrial SPEC-flex Adapter  
FMC to Flexible Cord  
1/2" - 2"

**FLEX Series Industrial Flexible Metal Conduit Adapter  
Transitions FMC (Greenfield) to Flexible Non-Metallic Cord  
Made in the USA**

Solid Steel Fully Machined **SPECflex** Connector with  
AMFICO Industrial Grade Flexible Cord & Cable Connector

Patent Pending Uniquely Engineered for Industrial Projects and  
OEM Product Performance

**Superior Performance for Secure Connection and Fast Disconnect  
No Tools Required to Install Connector on FMC Conduit**

## SPECflex Connector System



Greenfield to Flexible Cord

**Save Time on Every Connection!**

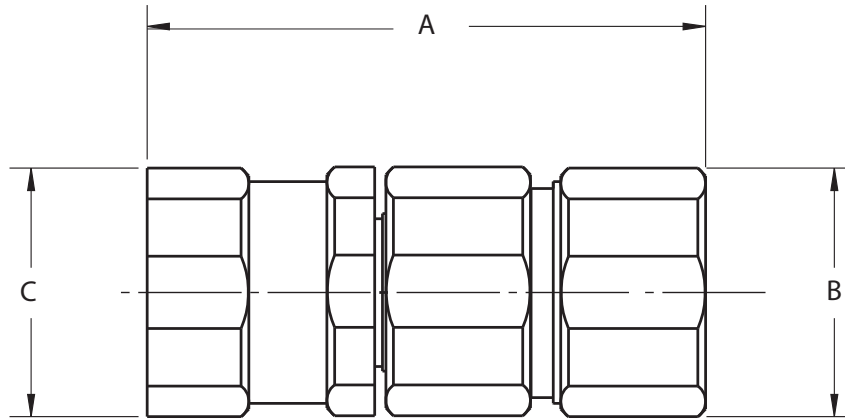


FMC (Greenfield)



Flexible Cord or Cable

**Grips Tight and Right on Every Connection**



**Note:**

SPECflex connectors are designed to work and interface with UL listed, Made in USA FMC / Greenfield conduit. We cannot guarantee fit, form, or function with non-UL off-shore conduit. Request a sample from factory to ensure compatibility.

### SPECflex Flexible Cord Adapters

Cat #	Trade Size	A	B hex	C hex
FLXCG50	1/2"	1-5/32"	1-1/32"	1-1/8"
FLXCG75	3/4"	1-7/16"	1-9/32"	1-3/8"
FLXCG100	1"	1-11/16"	1-9/16"	1-5/8"
FLXCG125	1-1/4"	2-1/32"	1-15/16"	1-31/32"
FLXCG150	1-1/2"	2-9/32"	2-9/32"	2-3/16"
FLXCG200	2"	2-7/8"	2-25/32"	2-25/32"

FKXCG. AM1194.C

# AMERICAN FITTINGS Corporation

Made in the USA Since 1946



Industrial SPEC-flex Adapter  
FMC to Liquid Tight  
1/2" - 2"

FLEX Series Industrial Flexible Metal Conduit Adapter  
Transitions FMC (Greenfield) to Liquid Tight Conduit  
Made in the USA

Solid Steel Fully Machined **SPECflex** Connector with  
AMFICO Industrial Grade Liquid Tight Conduit Connector

Patent Pending Uniquely Engineered for Industrial Projects and  
OEM Product Performance

**Superior Performance for Secure Connection and Fast Disconnect**  
**No Tools Required to Install Conduit**

## SPECflex Connector System

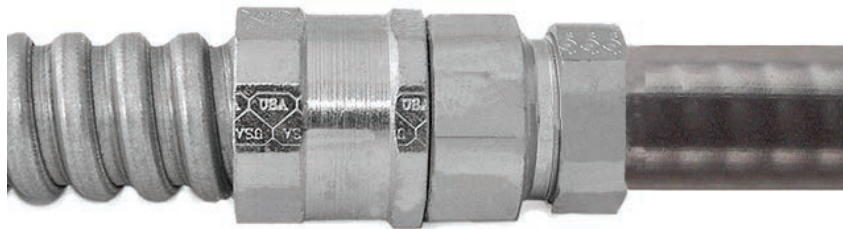


Greenfield to Liquid Tight

**Save Time on Every Connection!**

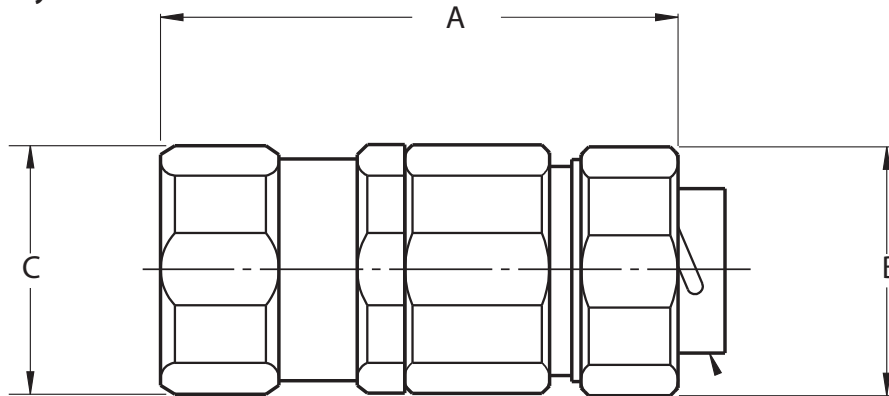


FMC Greenfield



Liquid Tight  
Conduit

**Grips Tight and Right on Every Connection**



**Note:**

SPECflex connectors are designed to work and interface with UL listed, Made in USA FMC / Greenfield conduit. We cannot guarantee fit, form, or function with non-UL off-shore conduit. Request a sample from factory to ensure compatibility.

**SPECflex Liquid Tight Adapters**

Cat #	Trade Size	A	B hex	C hex
FLXLT50	1/2"	2-7/16"	1-1/8"	1-1/8"
FLXLT75	3/4"	2-1/2"	1-3/8"	1-3/8"
FLXLT100	1"	2-9/16"	1-11/16"	1-5/8"
FLXLT125	1-1/4"	2-31/32"	2-1/16"	1-21/32"
FLXLT150	1-1/2"	3-3/8"	2-9/32"	2-3/16"
FLXLT200	2"	3-9/16"	2-25/32"	2-25/32"

FKXLT-AM1193.D

# AMERICAN FITTINGS Corporation



Made in the USA Since 1946

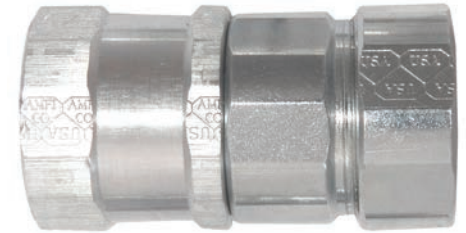
Industrial SPECflex Adapter  
FMC to EMT Compression  
1/2" - 2"

**FLEX Series Industrial Flexible Metal Conduit Adapter**  
Transitions FMC (Greenfield) to EMT  
Made in the USA

Solid Steel Fully Machined **SPECflex** Connector with  
AMFICO Industrial EMT Compression Coupling  
Fittings are Solid Steel Zinc Plated

Patent Pending Uniquely Engineered for Industrial Projects and  
OEM Product Performance  
**Superior Performance for Secure Connection and Fast Disconnect**  
**No Tools Required to Install Connector on Flex Conduit**

## SPECflex Connector System

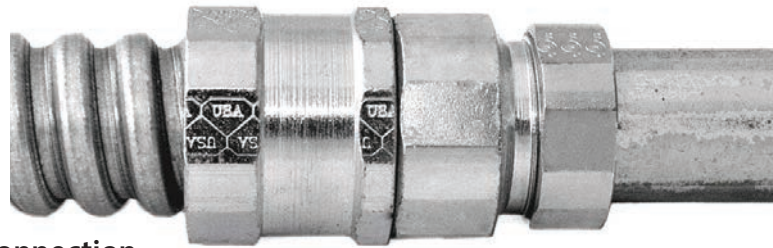


Greenfield to EMT Compression

**Save Time on Every Connection!**

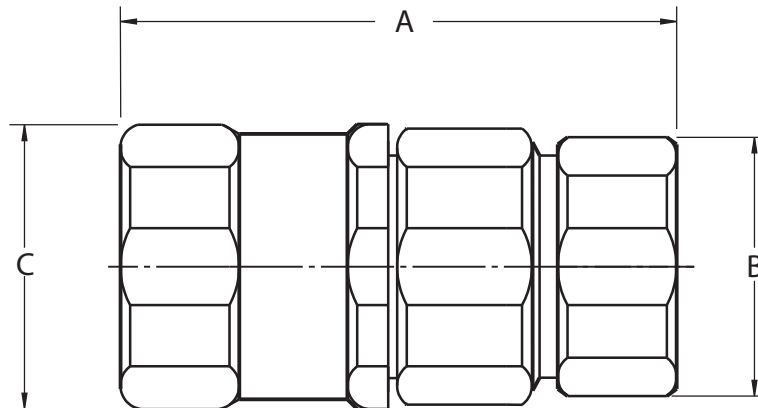


Greenfield  
FMC



EMT

**Grips Tight and Right on Every Connection**



**Note:**  
SPECflex connectors are designed to work and interface  
with UL listed, Made in USA FMC / Greenfield conduit.  
We cannot guarantee fit, form, or function with non-UL  
off-shore conduit.  
Request a sample from factory to ensure compatibility.

### SPECflex EMT Compression Adapters

Cat #	Trade Size	A	B hex	C hex
FLXEMT50	1/2"	2-7/16"	15/16"	1-1/8"
FLXEMT75	3/4"	2-15/32"	1-3/16"	1-3/8"
FLXEMT100	1"	2-17/32"	1-7/16"	1-5/8"
FLXEMT125	1-1/4"	2-11/16"	1-13/16"	1-31/32"
FLXEMT150	1-1/2"	3-5/32"	2-1/16"	2-3/16"
FLXEMT200	2"	3-5/16"	2-9/16"	2-25/32"

FLXEMT-AM1195.B



# AMERICAN FITTINGS Corporation

Made in the USA Since 1946



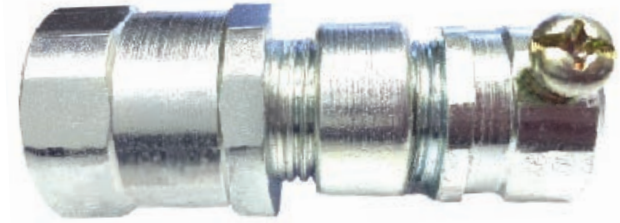
Industrial SPECflex Adapter  
FMC to EMT Set Screw  
1/2" - 2"

## SPECflex Connector System

FLEX Series Industrial Flexible Metal Conduit Adapter  
Transitions FMC (Greenfield) to EMT  
Made in the USA

Solid Steel Fully Machined **SPECflex** Connector with  
AMFICO Industrial EMT Set Screw Fitting  
Fittings are Solid Steel Zinc Plated

Patent Pending Uniquely Engineered for Industrial Projects and  
OEM Product Performance  
**Superior Performance for Secure Connection and Fast Disconnect**  
**No Tools Required to Install Connector on Flex Conduit**



Greenfield to EMT Set Screw

**Save Time on Every Connection!**

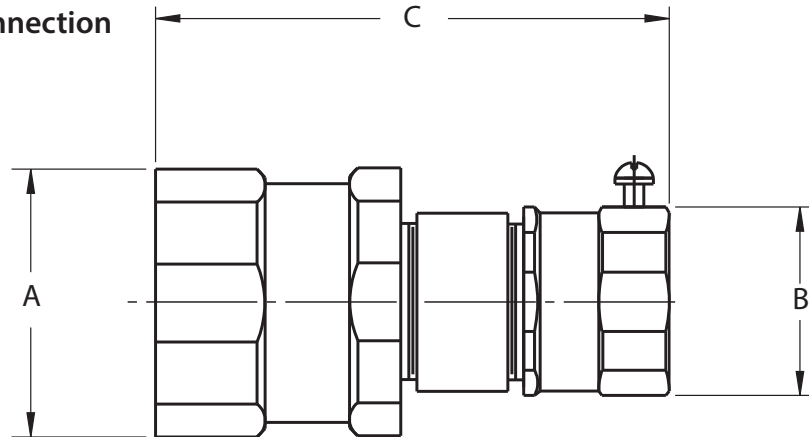


Greenfield  
FMC



EMT

**Grips Tight and Right on Every Connection**



**Note:**  
SPECflex connectors are designed to work and interface  
with UL listed, Made in USA FMC / Greenfield conduit.  
We cannot guarantee fit, form, or function with non-UL  
off-shore conduit.  
Request a sample from factory to ensure compatibility.

### SPECflex EMT SET SCREW Adapters

Cat #	Trade Size	A	B hex	C hex
FLXSS 50	1/2"	2-5/8"	15/16"	1-1/8"
FLXSS 75	3/4"	2-21/32"	1-3/16"	1-3/8"
FLXSS 100	1"	2-31/32"	1-7/16"	1-5/8"
FLXSS 125	1-1/4"	3-7/32"	1-13/16"	1-31/32"
FLXSS 150	1-1/2"	3-23/32"	2-1/16"	2-13/16"
FLXSS 200	2"	3-23-32"	2-9/16"	2-25/32"

**Note:**  
Also available in  
Compression EMT  
Liquid Tight  
Cord Connectors

FLXEMT.SS.AM1575.B

# AMERICAN FITTINGS Corporation

Made in the USA Since 1946



Industrial SPEC-flex Adapter  
FMC to Rigid Conduit Compression  
1/2" - 2"

**FLEX Series Industrial Flexible Metal Conduit Adapter Transitions FMC (Greenfield) to Rigid / IMC Conduit Made in the USA**

Solid Steel Fully Machined **SPECflex** Connector with AMFICO Industrial Rigid Conduit NT Compression Fitting Fittings are Solid Steel Zinc Plated

Patent Pending Uniquely Engineered for Industrial Projects and OEM Product Performance  
**Superior Performance for Secure Connection and Fast Disconnect**  
**No Tools Required to Install Flex Conduit**

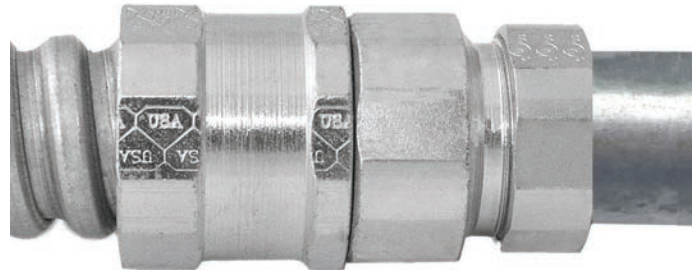
## SPECflex Connector System



Greenfield to Rigid Conduit NT Compression  
**Save Time on Every Connection!**

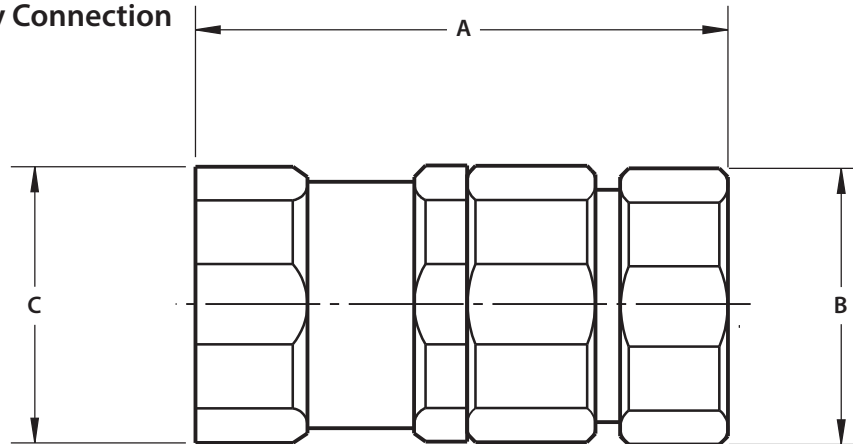


Greenfield FMC



Rigid / IMC Conduit

**Grips Tight and Right on Every Connection**



**Note:**  
SPECflex connectors are designed to work and interface with UL listed, Made in USA FMC / Greenfield conduit. We cannot guarantee fit, form, or function with non-UL off-shore conduit. Request a sample from factory to ensure compatibility.

### SPECflex to RIGID Conduit Compression NT Adapters

Cat #	Trade Size	A	B hex	C hex
FLXNT 50	1/2"	2-3/4"	1-1/8"	1-1/8"
FLXNT 75	3/4"	3-25/32"	1-11/32"	1-3/8"
FLXNT 100	1"	3-1/8"	1-5/8"	1-5/8"
FLXNT 125	1-1/4"	3-5/16"	2-1/32"	1-31/32"
FLXNT 150	1-1/2"	3-13/16"	2-9/32"	2-13/16"
FLXNT 200	2"	4-1/32"	2-25/32"	2-25/32"

FLXSNT-AM1732-A

# AMERICAN FITTINGS Corporation

Made in the USA Since 1946



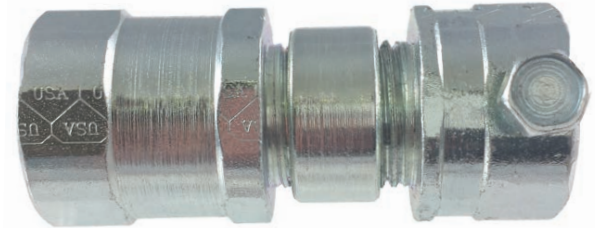
Industrial SPEC-flex Adapter  
FMC to Rigid Conduit Set Screw  
1/2" - 2"

## SPECflex Connector System

FLEX Series Industrial Flexible Metal Conduit Adapter  
Transitions FMC (Greenfield) to Rigid / IMC Conduit  
Made in the USA

Solid Steel Fully Machined SPECflex Connector with  
AMFICO Industrial Rigid Conduit Set Screw Fitting  
Fittings are Solid Steel Zinc Plated

Patent Pending Uniquely Engineered for Industrial Projects and  
OEM Product Performance  
Superior Performance for Secure Connection and Fast Disconnect  
No Tools Required to Install Connector on Flex Conduit



Greenfield to Rigid Conduit Set Screw  
**Save Time on Every Connection!**

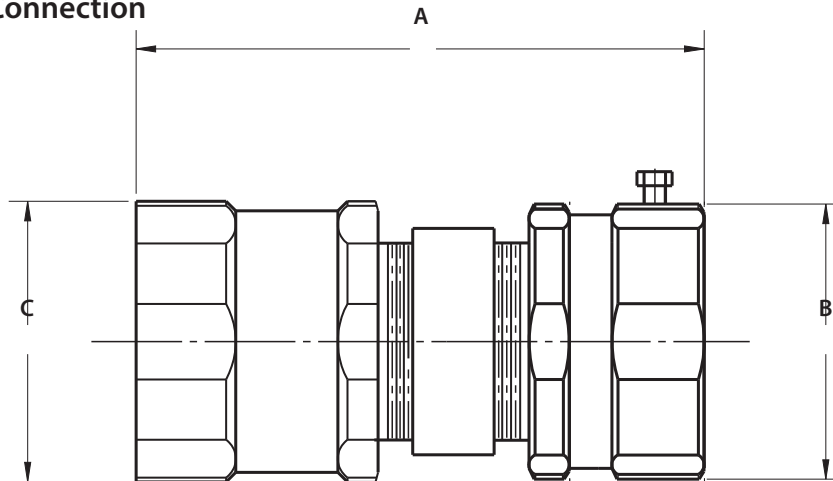


Greenfield  
FMC



Rigid / IMC  
Conduit

Grips Tight and Right on Every Connection



**Note:**  
SPECflex connectors are designed to work and interface  
with UL listed, Made in USA FMC / Greenfield conduit.  
We cannot guarantee fit, form, or function with non-UL  
off-shore conduit.  
Request a sample from factory to ensure compatibility.

### SPECflex to RIGID Conduit SET SCREW Adapters

Cat #	Trade Size	A	B hex	C hex
FLXSNT 50	1/2"	2-3/4"	1-1/8"	1-1/8"
FLXSNT 75	3/4"	3-25/32"	1-11/32"	1-3/8"
FLXSNT 100	1"	3-1/8"	1-5/8"	1-5/8"
FLXSNT 125	1-1/4"	3-5/16"	2-1/32"	1-31/32"
FLXSNT 150	1-1/2"	3-13/16"	2-9/32"	2-13/16"
FLXSNT 200	2"	4-1/32"	2-25/32"	2-25/32"

FLXSNT.AM11662.A

# AMERICAN FITTINGS Corporation

## SPEC-grade Industrial Electrical Fittings

Fully Machined Solid Steel Construction  
Manufactured in the USA

EMT & Rigid Conduit Fittings  
Liquid Tight Fittings  
Cord & Cable Connectors  
FMC Connectors  
Greenfield Connectors  
Ground Bushings  
AMFICO Hubs  
Reducing Bushings  
Chase Nipples  
MTO Specials  
Aluminum & Stainless Steel



The Perfect Connection for

Agriculture  
Alternative Energy  
Federal & State Projects  
Food Processing & Production  
Industrial Applications  
Military Installations  
OEM Equipment  
Oil & Gas Projects  
Paper & Pulp  
Transportation  
Waste Water Treatment

### Our Benefits to You

**FULL-LINE** Manufacturer Enabling One Source for Specs & Purchase  
**SUPERIOR** On Time Delivery & Personalized Services  
**LOWER YOUR INSTALLATION COSTS** With Our Enhanced Designs  
**RELIABILITY** Since 1946 Innovation, Resources and Commitment  
**VALUE** Eliminate Scrapping Cracked & Stripped Die Cast Fittings  
**ALWAYS** Meet Job Specifications, with Our Fittings - **Guaranteed**  
**NEVER** Camouflaged Off-Shore Parts Sold in 'Brand Name' Boxes

**NO SURPRISES**, You Will Always Get What You Ordered. . .  
When You Open Our Box You Will ALWAYS Find an AMERICAN Made Fitting. Full Traceability, & Material Certs are Always Available.

**All Products Carry a 100% Product Performance Guarantee**

## SPEC-grade™

Made in the USA

Cord GRIP Connectors 



Liquid-TIGHT Fittings 

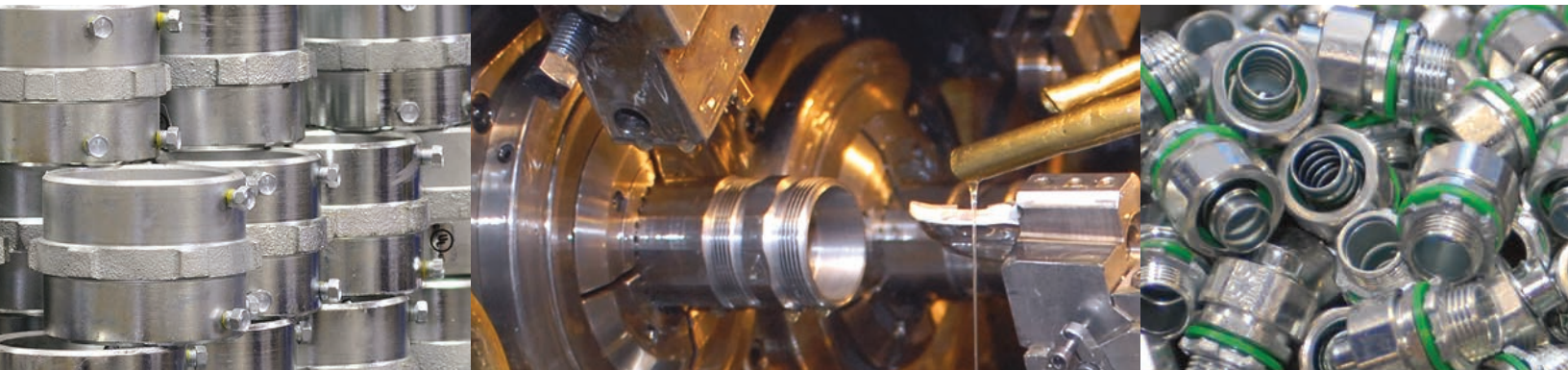


EMT & Rigid Conduit Fittings 



3233 W Hunting Park Avenue, Philadelphia PA 19132-1845  
(800) 79-ROYAL (215) 221-1200 fax (215) 221-1201  
advisors@royalelectric.com www.royalelectric.com

**WE GET IT**  
24/7 Emergency Material Access



Quality has one name, AMERICAN™